



# BONSMARA BEESTELERSGENOOTSKAP VAN SA

Saamgestel deur die Suid-Afrikaanse Stamboek- en Veeverbeteringsvereniging

Stamboom- en Prestasiedata korrek gesertifiseer

Veilingsdatum: 08/02/2012

Data soos op 09/01/2012 14:12:03

## EXPLANATION OF ABBREVIATIONS IN CATALOGUE

## VERDUIDELIKING VAN AFKORTINGS IN KATALOGUS

Birth details	BIRTH	GEBOORTE	Geboorte Besonderhede
Growth traits	GROWTH RATE	GROEIVERMOë	Groei Eienskappe
Efficiency traits	EFFICIENCY	DOELTREFF	Doeltreffendheids eienskappe
Body measurements	MEASURE	MATES	Liggaamsmates
Reproduction traits	REPROD	REPROD	Reproduksie eienskappe
Detail of parents	PARENTS	OUERS	Inligting van ouers

Lot number	Lot	Lot	Lotnommer
Seller	Seller	Verkoper	Verkoper
Identification number	ID	ID	Identifikasienommer
Generation/Section of Herdbook	Gen	Gen	Generasie/Afdeling van kuddeboek
Award received	Aw/Award	Toek	Toekenning ontvang
Phase tested	Phase	Fase	Fase getoets
Contemporaries in test	Cont	Tydg	Tydenote in toets
Weight in kilogram	Wgt	Gew	Gewig in kilogram
Index	Ind	Ind	Indeks
Accuracy of breeding value	Acc	Akk	Akkuraatheid van teelwaarde

BREEDING VALUES		TEELWAARDES	
Birth direct (kg)	Birth Dir	Geb Dir	Geboorte direk (kg)
Birth maternal (kg)	Birth Mat	Geb Mat	Geboorte maternaal (kg)
Wean direct (kg)	Wean Dir	Speen Dir	Speen direk (kg)
Wean maternal (kg)	Wean Mat	Speen Mat	Speen maternaal (kg)
12 Months (kg)	12M	12M	12 Maande (kg)
18 Months (kg)	18M	18M	18 Maande (kg)
Average daily gain (g/day)	ADG	GDT	Gemiddelde daaglikse toename (g/dag)
Mature weight (kg)	Matur Wgt	Volw Gew	Volwasse gewig (kg)
Feed conversion ratio	FCR	VOV	Voeromsetverhouding
Average daily feed intake	DFI	GDI	Gemiddelde daaglikse voer inname
Feedlot profit (Rands and cents)	Feed Prof	Voer Wins	Voerkraalwins (Rande en sente)
Height (mm)	Hgt	Hgt	Hoogte (mm)
Length (mm)	Lgt	Lgt	Lengte (mm)
Calving tempo (calves)	Calf Temp	Kalf Temp	Kalftempo (kalwers)
Scrotal circumference (mm)	SC	SO	Skrotum omvang (mm)

Skin thickness in millimetres	Skin	Vel	Veldikte in millimeter
Length: Height ratio	L:H	L:H	Lengte: Hoogteverhouding
Age at 1st calving in months	AFC (m)	OEK (m)	Ouderdom 1ste kalf in maande
Average Inter-calving period in days	ICP	TKP	Gemiddelde Tussenkalfperiode in dae
Age in years and months	Age	Oud	Ouderdom in jare en maande
Number of calvings	Calv	Kalw	Aantal kalwings
Average Wean index	Ave WI	Gem SI	Gemiddelde Speenindeks
Number of calves	Calf	Kalf	Aantal kalwers
Days open since last calving	Days Open	Dae Oop	Dae oop sedert laaste kalwing
Reproduction index	R.I.	R.I.	Reproduksie Indeks
Calf information	Calf	Kalf	Kalf informasie



# BONSMARA CATTLE BREEDERS' SOCIETY OF SA

Compiled by the South African Stud Book and Livestock Improvement Association

Pedigree- and Performance data certified correct

Auction Date: 08/02/2012  
Data as on 09/01/2012 14:12:03

## BULLS

Lot	Seller	ID	Sec	Phase	BIRTH		GROWTH RATE					EFFICIENCY			MEASURE			REPROD		PARENTS						BREEDER OWN REMARKS								
					Birth Dir	Birth Mat	Wean Dir	Wean Mat	12M	18M	Matur Wgt	ADG	FCR	DFI	Feed Prof	Hgt	Lgt	Skin (mm)	Calf Temp	SC	Sire		Dam											
					Acc	Acc	Acc	Acc	Acc	Acc	Acc	Acc	Acc	Acc	Acc	Acc	Acc	Acc	Acc	ID	ID	AFC (m)	Age	Ave WI	R.I.									
Aw	Cont	Wgt	Date	Wgt	Ind	Ind	Ind	Ind	Ind	Ind	Ind	Ind	Ind	Ind	Ind	Ind	Ind	Ind	Ind	Ind	Ind	Ind	Ind	Ind	Ind	Ind	Ind	Ind	Ind	Ind	Ind	Ind	Ind	Ind
1	W.J. BESTER	ROM 09 0219	SP	D	-0.48 80	0.21 46	8.5 74	4.9 46	10.6 49	12.0 58	5.0 25	49 62	-69 8	-	38.84 48	11 74	20 70	12	46.00 10	0.4 73	V 060392	ROM 06 0130	23	5	104	112								
				77	35	03.11.09	261	113				98	-		1173	1342	1.14		317	-	-	464	3	3										
2	KALKVELD BOERDERY	V 09 0234	SP	D	0.94 81	-1.13 50	13.5 76	6.6 51	16.5 55	20.2 62	-7.0 23	90 62	-98 35	-	55.05 58	3 74	16 70	13	63.00 10	7.0 73	VV 07 0122	V 05 0051	29	6	106	112								
				75	37	14.10.09	262	100				102	-		1202	1383	1.15		346	-	-	377	4	4										
3	BLOUBUFFEL LANDGOED BK	ALF 09 0079	SP	D	-0.63 79	0.19 48	9.7 74	6.7 48	12.0 48	13.8 59	4.0 26	146 62	-135 17	-	87.23 51	4 74	20 70	13	35.00 10	24.1 73	CSW 050145	ALF 07 0034	27	4	107	109								
				75	30	23.09.09	244	106				117	-		1193	1381	1.16		370	-	-	462	2	2										
4	BOGERMIE BOERDERY BK	WVW 09 0042	SP	D	-1.07 81	-0.64 59	4.1 76	-1.0 60	2.1 59	0.1 67	-16.0 33	97 66	-102 23	-	61.51 55	1 76	9 73	12	44.00 10	9.5 75	V 020032	WVW 03 0143	30	8	100	109								
				75	32	23.09.09	245	98				93	-		1223	1381	1.13		352	-	-	394	6	5										
5	DE BRUIN BONSMARAS	DBT 09 0058	SP	D	0.56 80	-0.69 50	2.6 75	2.1 49	1.7 54	1.7 61	-12.0 31	43 63	-64 17	-	32.83 52	-2 75	3 71	14	50.00 10	6.6 74	FAM 05 0078	DBT 04 0117	23	6	97	121								
				75	38	07.10.09	239	93				100	-		1209	1369	1.13		350	-	-	368	5	5										
6	MALAN FA & SEUN	FAM 09 0079	SP	D	-0.22 81	0.50 60	8.6 76	-4.3 60	9.8 59	10.5 66	5.0 34	80 67	-91 32	-	43.47 59	6 76	8 73	14	49.00 10	11.8 75	FAM 02 0073	FAM 04 0014	25	6	96	114								
				77	38	07.11.09	267	99				102	-		1215	1354	1.11		351	-	-	391	5	5										
7	M. FERREIRA	LEO 09 0142	SP	D	-0.11 80	-0.15 50	6.1 73	5.5 49	10.3 49	13.1 59	3.0 23	154 60	-140 28	-	101.33 54	11 72	18 68	13	41.00 10	2.7 71	LEO 060016	ZAK 010033	36	9	98	106								
				77	38	08.12.09	279	101				129	-		1219	1401	1.15		341	-	-	380	7	4										
8	KALKVELD BOERDERY	V 09 0235	SP	D	3.36 81	-0.29 51	19.5 76	7.5 52	26.0 54	33.6 58	20.0 23	147 63	-136 38	-	83.68 59	13 75	25 71	19	62.00 10	19.7 74	VV 070012	V 02 0391	29	9	104	113								
				75	43	14.10.09	272	102				105	-		1242	1453	1.17		355	-	-	370	7	7										

0.38	0.04	7.6	3.3	9.6	12	3.7	81	-89	-	55.6	3	12		40.4	7.6
------	------	-----	-----	-----	----	-----	----	-----	---	------	---	----	--	------	-----

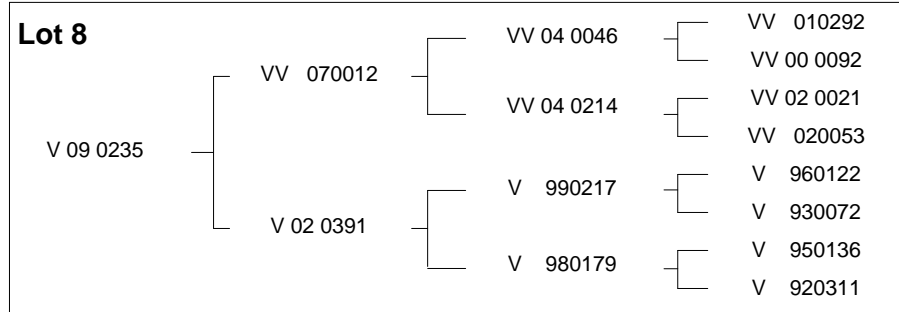
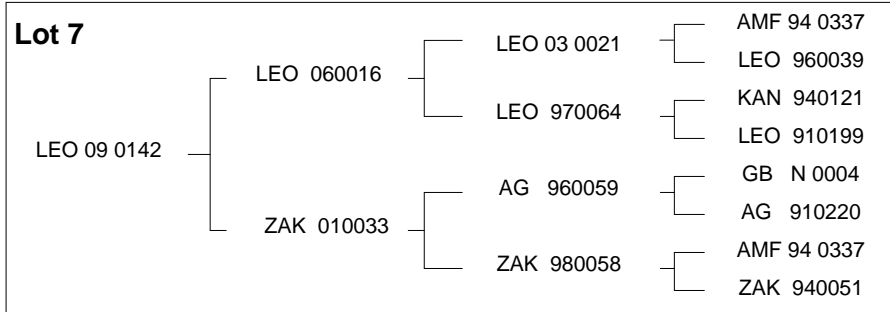
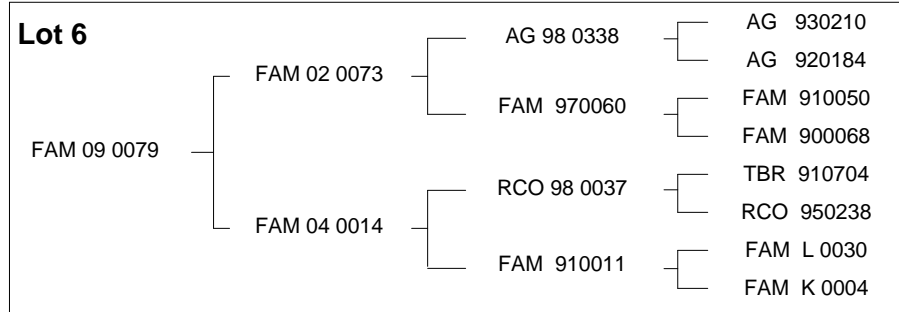
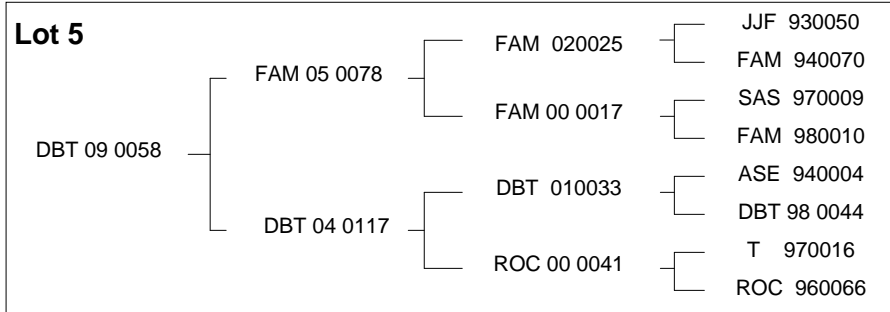
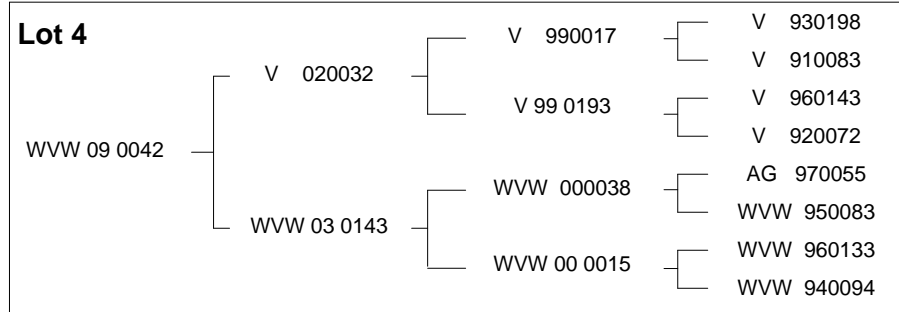
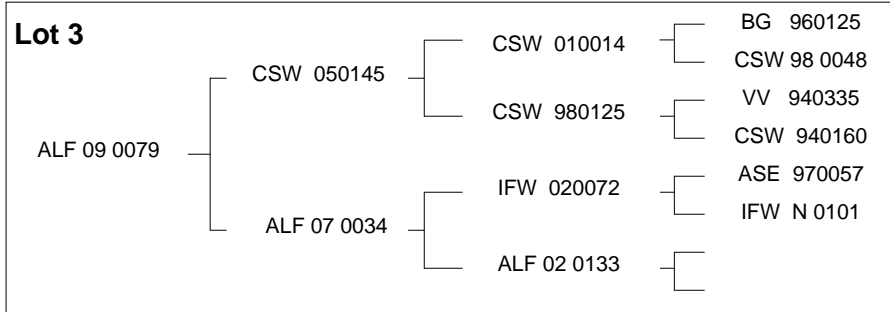
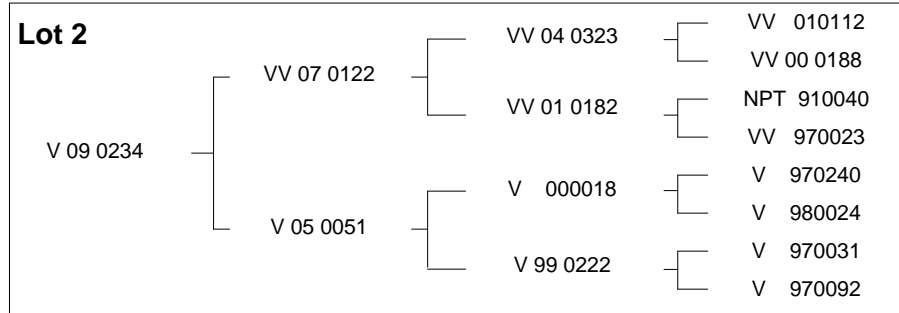
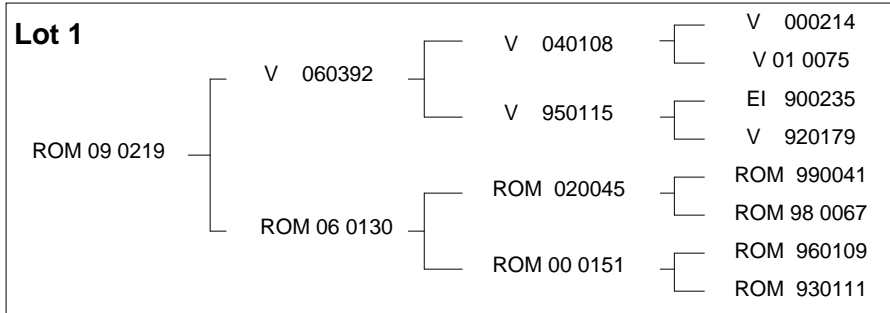


# BONSMARA CATTLE BREEDERS' SOCIETY OF SA

Compiled by the South African Stud Book and Livestock Improvement Association

Pedigree- and Performance data certified correct

Auction Date: 08/02/2012  
Data as on 09/01/2012 14:12:03





# BONSMARA BEESTELERSGENOOTSAP VAN SA

Saamgestel deur die Suid-Afrikaanse Stamboek- en Veeverbeteringsvereniging

Stamboom- en Prestasiedata korrek gesertifiseer

Veilingsdatum: 08/02/2012  
Data soos op 09/01/2012 14:12:11

## BULLE

Lot	Verkoper	ID	Afd	Fase	GEBORTE		GROEIVERMOË					DOELTREFF			MATES			REPROD		OUERS						TELER SE EIE OPMERKINGS	
					Geb Dir	Geb Mat	Speen Dir	Speen Mat	12M	18M	Volw Gew	GDT	VOV	GDI	Voer Wins	Hgt	Lgt	Vel (mm)	Kalf Temp	SO	Vaar		Moer				
					Akk	Akk	Akk	Akk	Akk	Akk	Akk	Akk	Akk	Akk	Akk	Akk	Akk	Akk	Akk	Akk	ID	ID	OEK (m)	Oud	Gem SI		R.I.
Toek	Tydg	Gew	Datum	Gew	Ind	Ind	Ind	Ind	Ind	Ind	Ind	Ind	Ind	Ind	Ind	(mm)	(mm)	L:H	(mm)	Toek	Toek	TKP	Kalw	Kalf			
9	GRUNDLER BONSMARAS	MGG 09 0060	B	D	-4.95 77	-0.08 45	-6.9 71	4.7 47	-6.7 43	-10.8 51	-26.0 18	13 61	-41 28	-	29.51 55	-16 73	-11 69	15	19.00 10	-2.8 72	LEO 03 0021	MGG 020141	*	*	102	105	
				77	27	11.11.09	248	103				105	-			1147	1336	1.16		342	-	-	413	5	2		
10	C.J. NIEHAUS	CNB 09 0288	SP	D	1.47 81	0.01 53	14.4 76	5.1 52	15.6 55	18.4 63	6.0 26	155 64	-141 23	-	90.68 55	15 75	36 71	14	26.00 10	1.9 74	AG 04 0269	CNB 02 0432	34	8	102	108	
				77	38	05.12.09	264	108				106	-			1228	1409	1.15		316	-	-	374	6	7		
11	BLOUBUFFEL LANDGOED BK	ALF 09 0098	SP	D	-0.82 81	0.07 55	8.8 75	4.2 54	11.5 54	13.9 61	4.0 29	130 65	-125 23	-	76.27 55	14 75	26 72	13	29.00 10	-4.2 75	ROM 040115	ALF 03 0022	31	7	97	103	
				75	34	08.10.09	242	103				99	-			1220	1459	1.2		320	-	-	420	5	4		
12	BLOUBUFFEL LANDGOED BK	ALF 09 0119	SP	D	-0.62 81	0.13 48	3.2 75	2.3 48	2.1 54	1.1 60	-7.0 29	35 63	-58 28	-	25.96 55	-14 74	-3 70	12	52.00 10	9.2 73	CSW 05 0007	ALF 06 0039	25	4	96	119	
				75	34	25.10.09	234	99				93	-			1177	1359	1.15		354	-	-	369	3	2		
13	KALKVELD BOERDERY	V 09 0292	SP	D	0.70 81	0.00 50	15.8 76	5.5 51	22.2 55	27.7 60	18.0 24	158 63	-142 35	-	96.67 58	16 74	34 71	15	53.00 10	26.6 73	VV 070012	V 04 0063	30	7	101	112	
				77	39	27.10.09	271	103				115	-			1230	1448	1.18		370	-	-	370	5	5		
14	KALKVELD BOERDERY	V 09 0288	SP	D	1.47 81	-1.56 48	12.2 76	3.5 49	12.6 54	14.9 61	-14.0 25	81 62	-92 38	-	55.06 58	7 74	9 70	16	57.00 10	4.9 73	VV 07 0122	V 06 0140	28	5	98	113	
				77	36	01.11.09	260	100				97	-			1192	1331	1.12		333	-	-	380	3	3		
15	BOGERMIE BOERDERY BK	WVW 09 0075	SP	D	0.61 81	-0.11 59	5.4 76	3.1 59	3.5 55	2.6 66	-18.0 32	97 67	-102 23	-	62.31 56	15 76	19 73	11	41.00 10	13.1 76	V 020032	WVW 04 0144	29	7	101	107	
				75	40	21.10.09	263	102				102	-			1255	1407	1.12		356	-	-	410	5	4		
16	MALAN FA & SEUN	FAM 09 0104	SP	D	-0.13 80	0.61 46	10.1 74	-0.4 48	11.8 49	13.3 57	12.0 15	50 62	-69 8	-	36.04 48	-1 74	1 70	12	53.00 10	1.1 73	FAM 07 0009	FAM 06 0048	28	4	104	114	
				77	38	11.12.09	304	115				105	-			1210	1333	1.1		328	-	-	367	3	3		

0.38	0.04	7.6	3.3	9.6	12	3.7	81	-89	-	55.6	3	12		40.4	7.6
------	------	-----	-----	-----	----	-----	----	-----	---	------	---	----	--	------	-----



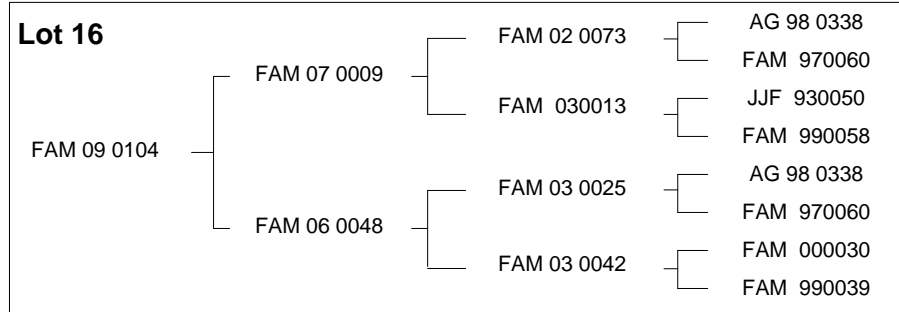
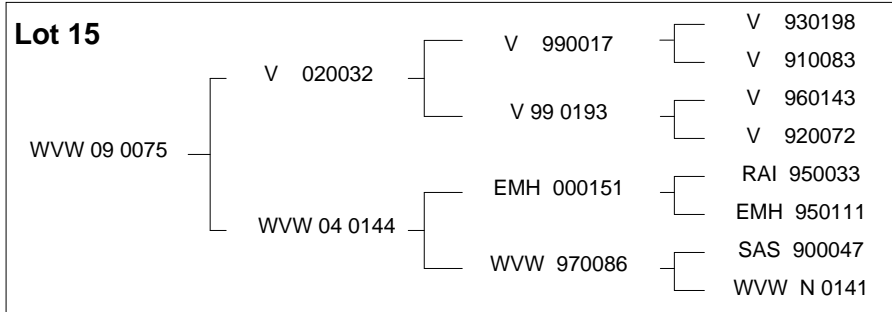
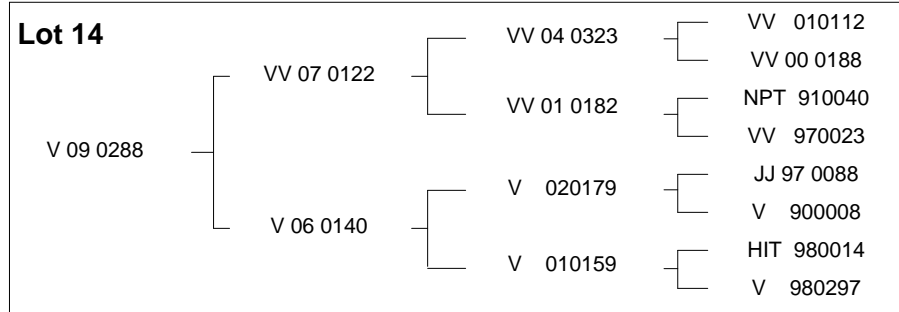
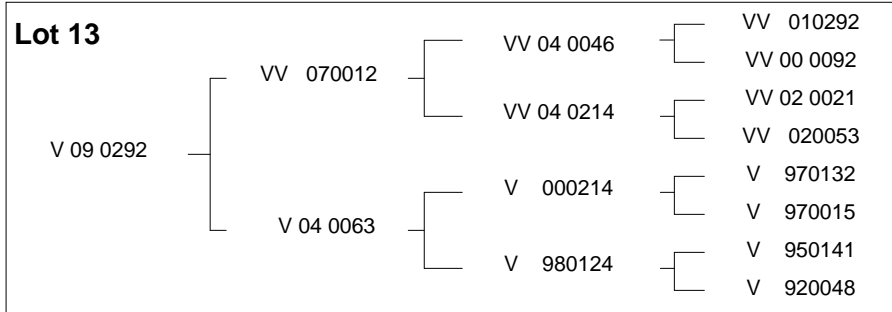
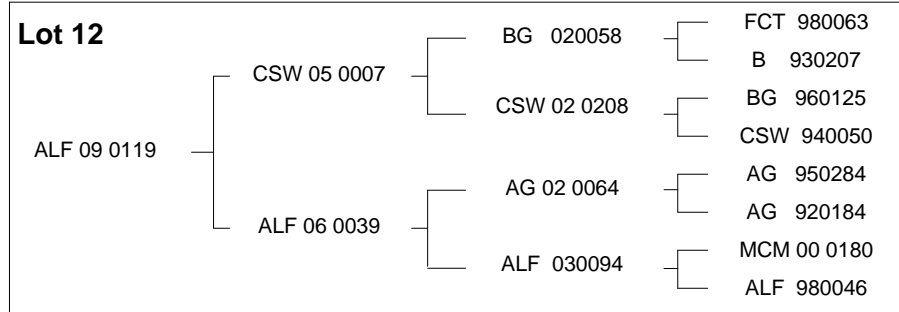
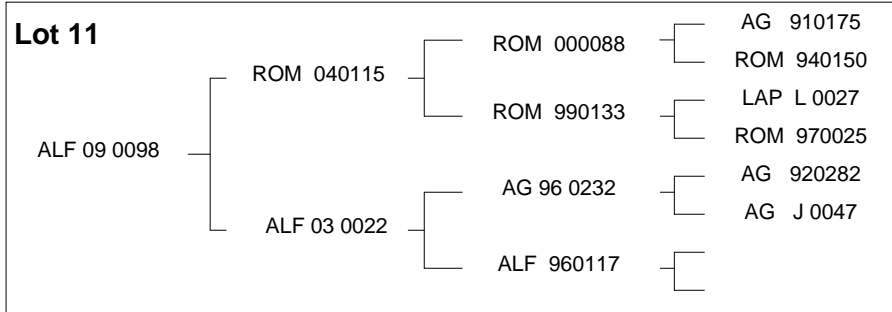
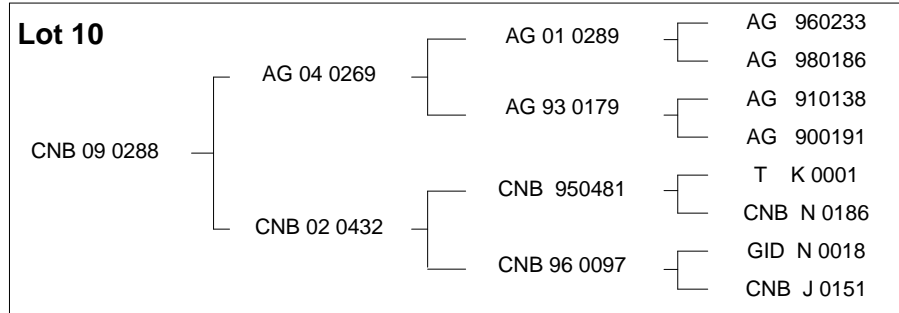
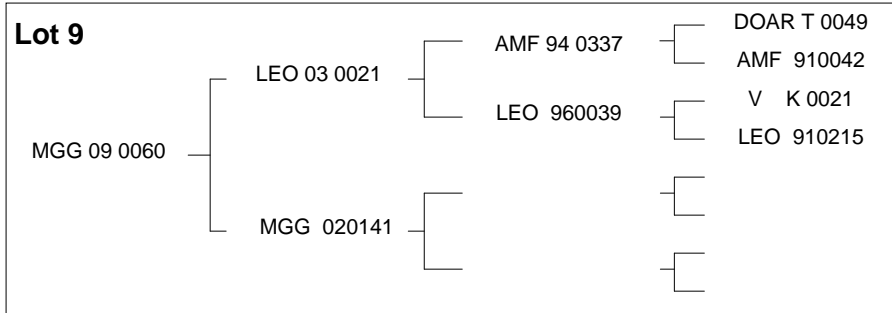
# BONSMARA BEESTELERSGENOOTSAP VAN SA

Saamgestel deur die Suid-Afrikaanse Stamboek- en Veeverbeteringsvereniging

Stamboom- en Prestasiedata korrek gesertifiseer

Veilingsdatum: 08/02/2012

Data soos op 09/01/2012 14:12:11





# BONSMARA CATTLE BREEDERS' SOCIETY OF SA

Compiled by the South African Stud Book and Livestock Improvement Association

Pedigree- and Performance data certified correct

Auction Date: 08/02/2012  
Data as on 09/01/2012 14:12:14

## BULLS

Lot	Seller	ID	Sec	Phase	BIRTH		GROWTH RATE					EFFICIENCY			MEASURE			REPROD		PARENTS						BREEDER OWN REMARKS	
					Birth Dir	Birth Mat	Wean Dir	Wean Mat	12M	18M	Matur Wgt	ADG	FCR	DFI	Feed Prof	Hgt	Lgt	Skin (mm)	Calf Temp	SC	Sire		Dam				
					Acc	Acc	Acc	Acc	Acc	Acc	Acc	Acc	Acc	Acc	Acc	Acc	Acc	Acc	Acc	ID	ID	AFC (m)	Age	Ave WI	R.I.		
Aw	Cont	Wgt	Date	Wgt	Ind	Ind	Ind	Ind	Ind	Ind	Ind	(mm)	(mm)	L:H	(mm)	Aw	Aw	ICP	Calv	Calv							
17	W.J. BESTER	ROM 09 0112	SP	D	1.57 81	-0.08 53	12.3 76	4.7 54	15.7 57	20.9 64	24.0 30	91 62	-98 23	-	67.10 53	10 74	19 70	13	45.00 10	3.2 73	CNB 05 0366	ROM 99 0049	27	11	105	116	
				75	38	02.10.09	258	109				105	-		1237	1386	1.12		334	-	-	367	10	10			
18	DE BRUIN BONSMARAS	DBT 09 0055	B	D	-0.13 80	-0.09 50	0.6 74	2.1 51	0.0 48	-0.6 58	-10.0 15	69 62	-83 8	-	39.88 49	7 74	20 71	12	20.00 10	10.2 74	FAM 05 0078	GDB 00 0076	*	*	98	110	
				75	37	06.10.09	243	95				100	-		1239	1458	1.18		357	-	-	391	8	7			
19	M. FERREIRA	LEO 09 0066	SP	D	0.48 81	0.04 63	13.3 76	0.3 63	13.1 56	14.4 65	-2.0 38	111 67	-112 23	-	77.40 56	22 76	29 73	16	57.00 10	5.7 76	EMH 000151	LEO 01 0060	32	10	102	119	
				75	39	03.10.09	304	107				100	-		1247	1407	1.13		342	-	-	332	9	8			
20	KALKVELD BOERDERY	V 09 0269	SP	D	0.42 82	0.10 52	12.3 77	4.4 52	16.7 56	20.1 62	13.0 24	67 65	-82 17	-	70.73 53	-20 76	6 72	16	23.00 10	-16.0 75	ALF 05 0088	V 980170	36	11	101	110	
				75	35	25.10.09	268	104				104	-		1117	1389	1.24		308	-	-	366	9	9			
21	KALKVELD BOERDERY	V 09 0232	SP	D	-0.73 82	-1.04 59	7.1 77	2.7 60	11.7 57	15.2 65	-5.0 34	125 66	-121 23	-	82.02 55	13 76	30 73	16	59.00 10	7.7 76	WVW 03 0100	V 00 0209	24	10	103	119	
				75	38	13.10.09	262	100				98	-		1232	1472	1.19		360	-	-	364	9	9			
22	BLOUBUFFEL LANDGOED BK	ALF 09 0084	SP	D	0.53 78	0.21 59	13.6 70	2.1 58	18.5 54	23.3 54	21.0 21	190 65	-162 17	-	105.25 53	17 76	32 73	11	20.00 10	12.2 75	ALF 03 0103	ALF 01 0046	26	9	100	117	
				75	29	28.09.09	259	114				110	-		1245	1454	1.17		358	-	-	364	8	7			
23	BOGERMIE BOERDERY BK	WVW 09 0085	SP	D	0.68 80	0.50 49	11.2 74	7.0 49	14.5 50	18.8 62	24.0 36	144 62	-133 23	-	92.63 53	9 74	15 70	14	44.00 10	14.6 73	ALF 060033	WVW 06 0010	27	6	101	113	
				75	37	24.10.09	264	104				115	-		1227	1378	1.12		351	-	-	383	4	3			
24	DE BRUIN BONSMARAS	DBT 09 0052	SP	D	0.29 80	-0.10 49	5.4 75	3.0 49	6.6 53	8.2 61	10.0 32	55 64	-73 17	-	41.90 53	-10 75	3 72	15	54.00 10	12.6 74	FAM 05 0078	DBT 04 0154	32	6	98	108	
				75	33	05.10.09	229	91				96	-		1178	1368	1.16		362	-	-	378	4	4			

0.38	0.04	7.6	3.3	9.6	12	3.7	81	-89	-	55.6	3	12		40.4	7.6
------	------	-----	-----	-----	----	-----	----	-----	---	------	---	----	--	------	-----

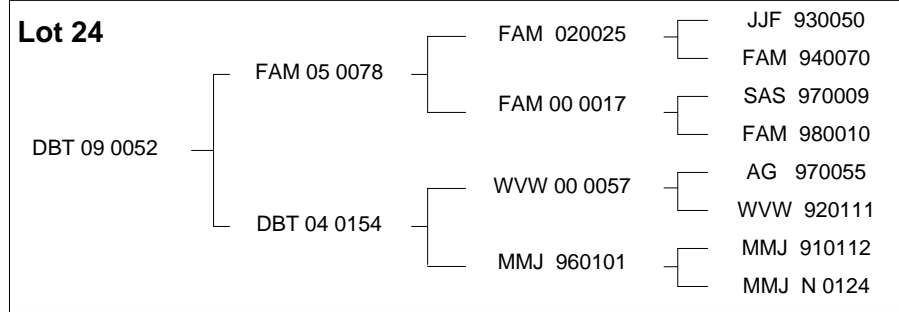
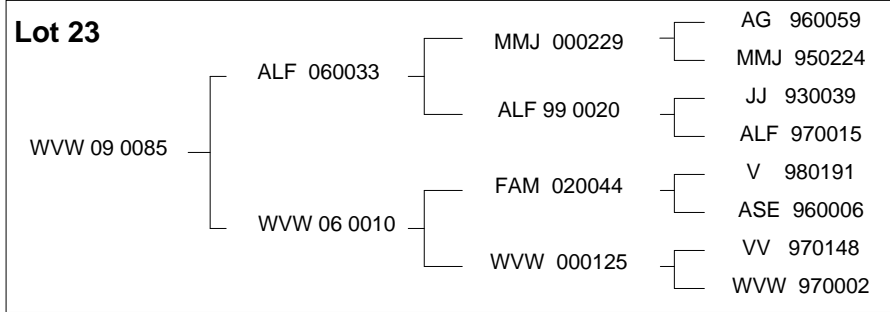
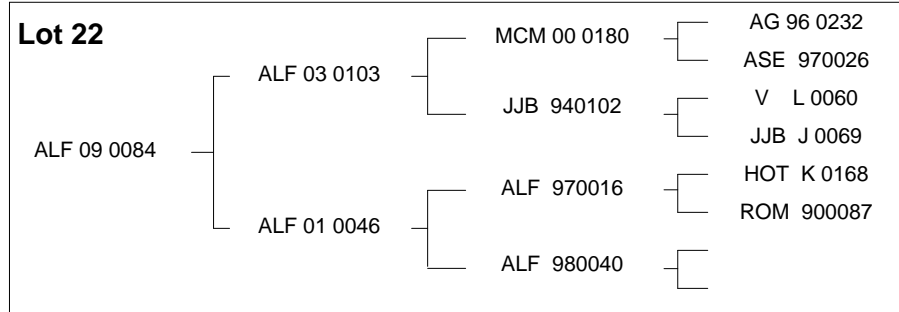
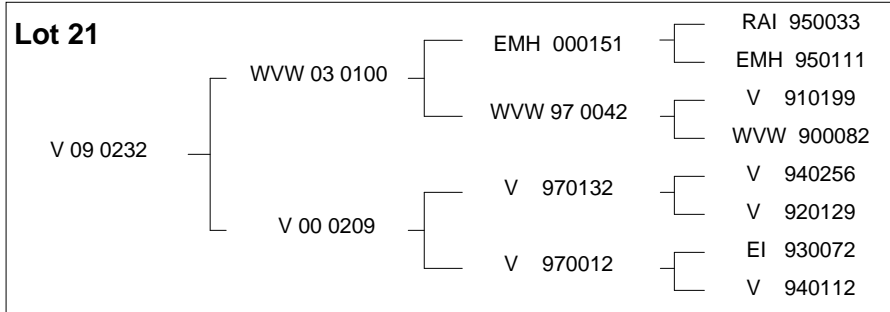
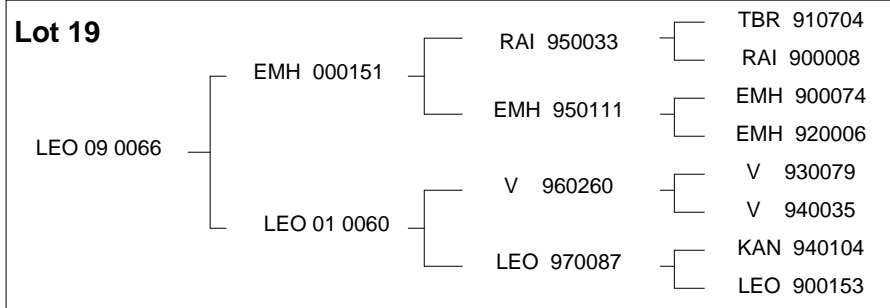
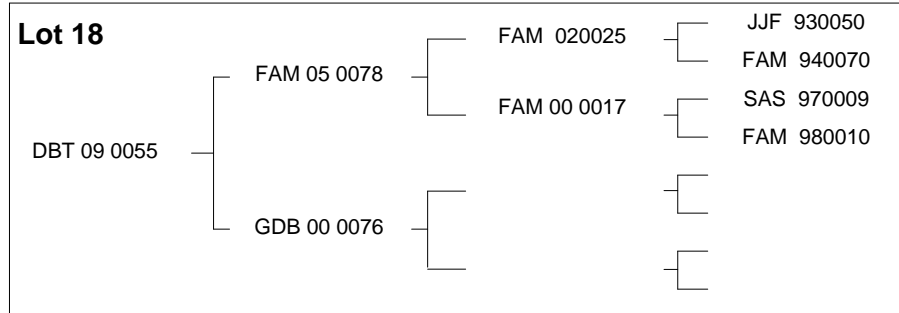
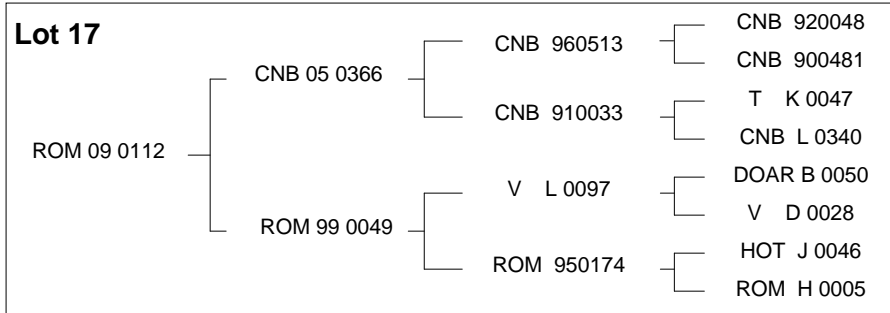


# BONSMARA CATTLE BREEDERS' SOCIETY OF SA

Compiled by the South African Stud Book and Livestock Improvement Association

Pedigree- and Performance data certified correct

Auction Date: 08/02/2012  
Data as on 09/01/2012 14:12:14





# BONSMARA BEESTELERSGENOOTSAP VAN SA

Saamgestel deur die Suid-Afrikaanse Stamboek- en Veeverbeteringsvereniging

Stamboom- en Prestasiedata korrek gesertifiseer

Veilingsdatum: 08/02/2012  
Data soos op 09/01/2012 14:12:18

## BULLE

Lot	Verkoper	ID	Afd	Fase	GEBORTE		GROEIVERMOË					DOELTREFF			MATES			REPROD		OUERS						TELER SE EIE OPMERKINGS	
					Geb Dir	Geb Mat	Speen Dir	Speen Mat	12M	18M	Volw Gew	GDT	VOV	GDI	Voer Wins	Hgt	Lgt	Vel (mm)	Kalf Temp	SO	Vaar		Moer				
					Akk	Akk	Akk	Akk	Akk	Akk	Akk	Akk	Akk	Akk	Akk	Akk	Akk	Akk	Akk	Akk	ID	ID	OEK (m)	Oud	Gem SI		R.I.
Toek	Tydg	Gew	Datum	Gew	Ind	Ind	Ind	Ind	Ind	Ind	Ind	Ind	Ind	Ind	Ind	(mm)	(mm)	L:H	(mm)	Toek	Toek	TKP	Kalw	Kalf			
25	MALAN FA & SEUN	FAM 09 0099	SP	D	-1.12 81	-0.18 57	6.1 76	0.1 57	7.9 57	9.5 63	-4.0 37	62 65	-78 32	-	43.70 58	-6 75	3 72	11	56.00 10	5.2 74	FAM 03 0025	FAM 04 0013	29	7	106	113	
				77	35	07.12.09	287	109				95	-		1179	1360	1.15		340	-	-	367	5	5			
26	M. FERREIRA	LEO 09 0143	SP	D	-1.32 81	-0.19 59	1.8 75	0.6 59	1.4 54	0.3 58	-18.0 32	65 64	-80 28	-	35.45 56	-3 75	2 71	13	31.00 10	19.6 74	AG 02 0064	LEO 000084	29	10	105	118	
				77	37	10.12.09	293	107				90	-		1200	1362	1.14		381	-	-	347	9	7			
27	W.J. BESTER	ROM 09 0127	SP	D	2.07 81	0.12 50	14.4 75	5.9 51	17.8 54	23.0 63	19.0 32	94 63	-100 17	-	55.33 52	18 75	30 71	13	47.00 10	0.9 74	CNB 05 0366	ROM 02 0162	27	8	102	110	
				75	45	12.10.09	261	107				93	-		1261	1422	1.13		328	-	-	406	6	6			
28	KALKVELD BOERDERY	V 09 0199	SP	D	2.57 82	0.31 52	17.3 77	5.4 52	21.5 57	27.2 62	23.0 21	131 65	-125 17	-	81.01 53	10 75	32 72	14	56.00 10	3.2 75	ALF 05 0088	V 00 0215	24	10	103	118	
				75	41	07.10.09	265	100				90	-		1229	1469	1.2		332	-	-	366	9	8			
29	BLOUBUFFEL LANDGOED BK	ALF 09 0170	SP	D	-0.60 81	0.40 55	12.7 76	6.1 55	17.8 56	22.4 62	20.0 31	137 65	-129 28	-	87.24 57	16 76	24 72	15	31.00 10	-4.3 75	ROM 04 0115	ALF 02 0048	39	7	107	102	
				77	31	01.12.09	256	111				106	-		1206	1377	1.14		311	-	-	370	5	5			
30	BOGERMIE BOERDERY BK	WVW 09 0052	SP	D	-2.25 81	-0.36 55	0.2 76	-2.6 56	0.0 52	-2.6 64	-19.0 39	18 65	-45 23	-	24.80 55	10 76	6 72	11	43.00 10	11.8 75	AEU 04 0036	WVW 99 0114	28	11	93	111	
				75	30	01.10.09	237	95				95	-		1226	1376	1.12		362	-	-	394	9	8			
31	BLOUBUFFEL LANDGOED BK	ALF 09 0102	SP	D	0.29 81	0.32 59	12.0 76	1.6 57	14.9 56	18.8 64	15.0 29	169 65	-149 23	-	90.67 55	39 76	35 72	17	55.00 10	17.2 75	ROM 04 0115	SAS 99 0272	28	12	99	114	
				75	36	10.10.09	242	102				98	-		1400	1391	0.99		353	-	-	373	10	9			
32	KALKVELD BOERDERY	V 09 0201	SP	D	1.29 81	0.41 59	12.7 77	6.0 59	16.7 57	21.2 63	13.0 30	156 65	-141 17	-	99.32 53	22 75	22 72	15	59.00 10	3.1 75	WVW 03 0100	V 02 0166	25	8	102	119	
				75	43	06.10.09	256	95				111	-		1269	1388	1.09		337	-	-	360	7	7			

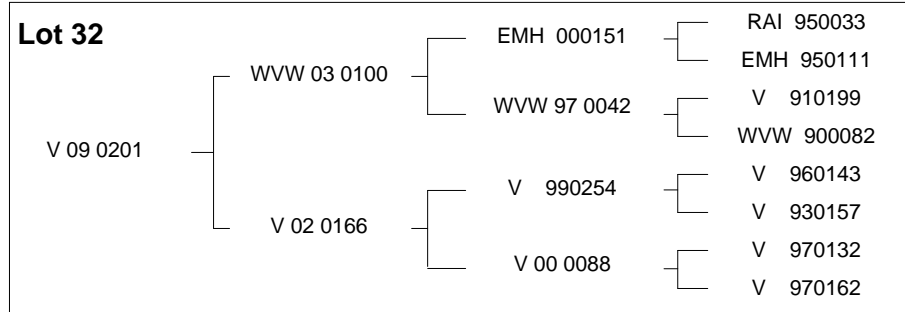
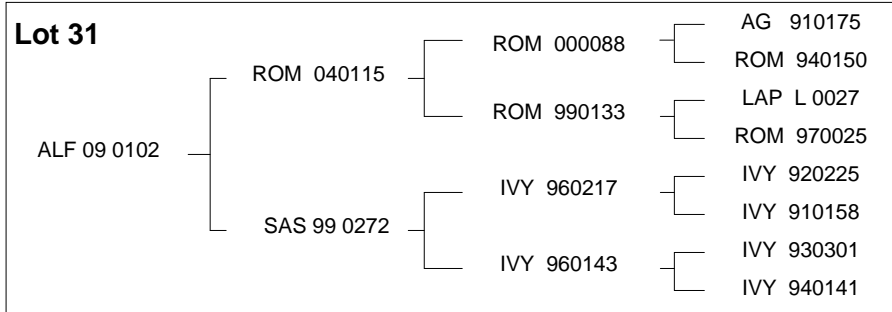
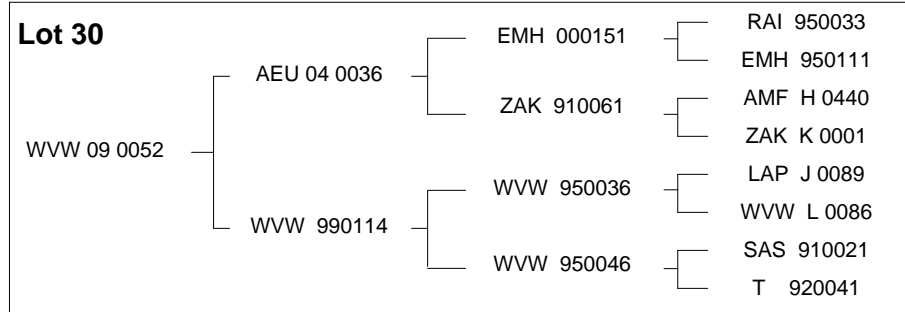
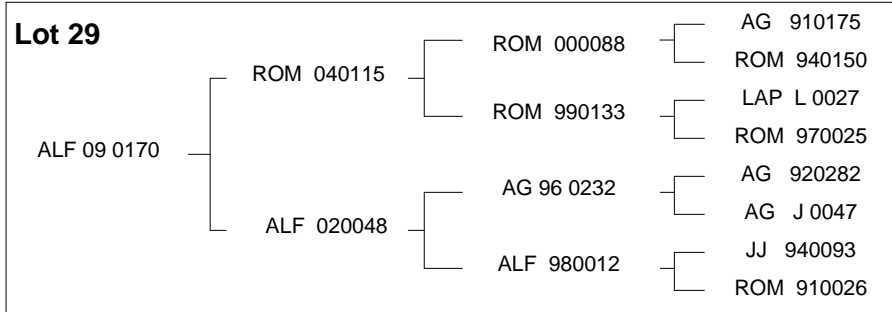
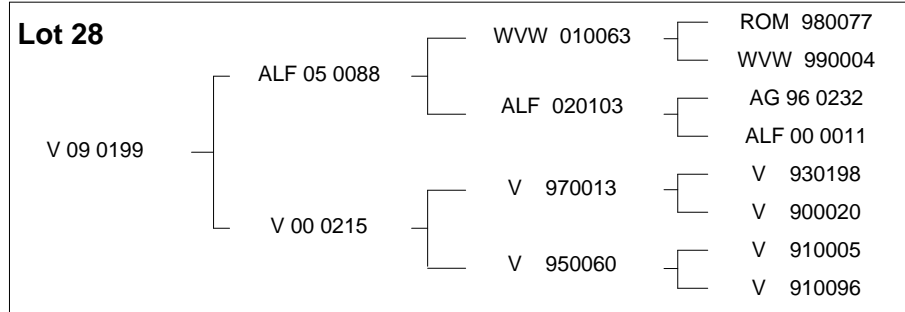
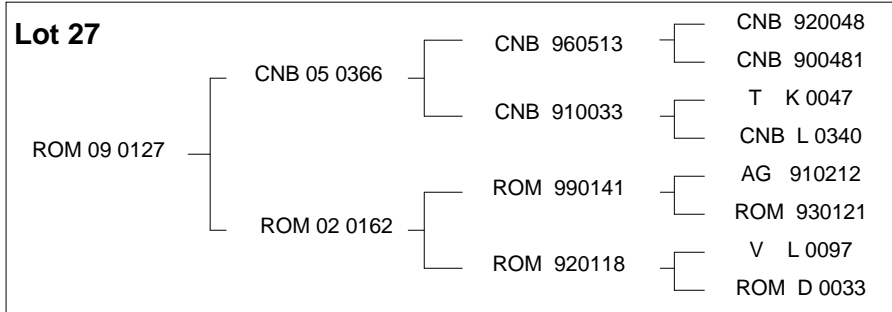
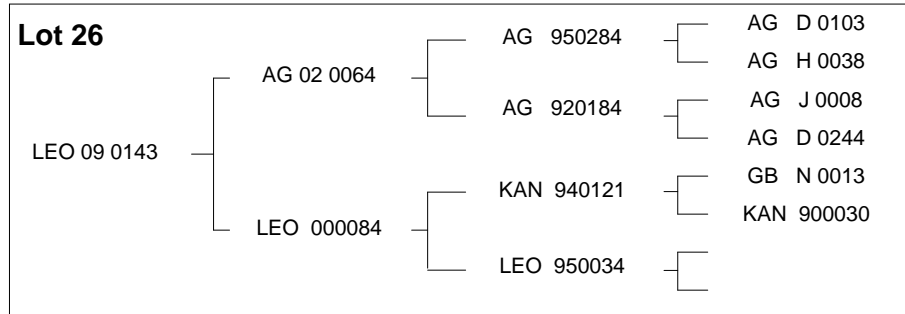
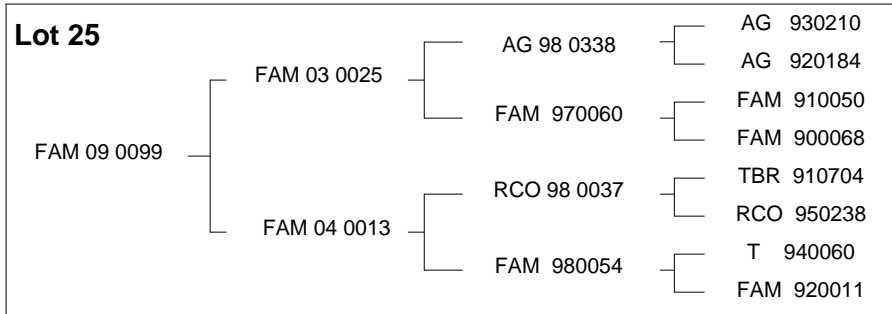


# BONSMARA BEESTELERSGENOOTSAP VAN SA

Saamgestel deur die Suid-Afrikaanse Stamboek- en Veeverbeteringsvereniging

Stamboom- en Prestasiedata korrek gesertifiseer

Veilingsdatum: 08/02/2012  
Data soos op 09/01/2012 14:12:18





# BONSMARA CATTLE BREEDERS' SOCIETY OF SA

Compiled by the South African Stud Book and Livestock Improvement Association

Pedigree- and Performance data certified correct

Auction Date: 08/02/2012  
Data as on 09/01/2012 14:12:21

## BULLS

Lot	Seller	ID	Sec	Phase	BIRTH		GROWTH RATE					EFFICIENCY			MEASURE			REPROD		PARENTS					BREEDER OWN REMARKS		
					Birth Dir	Birth Mat	Wean Dir	Wean Mat	12M	18M	Matur Wgt	ADG	FCR	DFI	Feed Prof	Hgt	Lgt	Skin (mm)	Calf Temp	SC	Sire		Dam				
					Acc	Acc	Acc	Acc	Acc	Acc	Acc	Acc	Acc	Acc	Acc	Acc	Acc	Acc	Acc	ID	ID	AFC (m)	Age	Ave WI		R.I.	
Aw	Cont	Wgt	Date	Wgt	Ind	Ind	Ind	Ind	Ind	Ind	Ind	Ind	Ind	Ind	Ind	Ind	Ind	Ind	Ind	Ind	Ind	Ind	Ind	Ind	Ind	Ind	
33	W.J. BESTER	ROM 09 0120	SP	D	-1.60	0.20	4.6	-0.2	4.6	3.0	-2.0	-13	-21	-	-1.30	-7	-1	15	58.00	1.6	FAM 050074	ROM 05 0137	24	5	100	120	
				75	81	52	76	52	56	65	37	64	28	-	56	75	71		10	74	-	-	372	4	4		

0.38	0.04	7.6	3.3	9.6	12	3.7	81	-89	-	55.6	3	12		40.4	7.6
------	------	-----	-----	-----	----	-----	----	-----	---	------	---	----	--	------	-----



# BONSMARA CATTLE BREEDERS' SOCIETY OF SA

Compiled by the South African Stud Book and Livestock Improvement Association

Pedigree- and Performance data certified correct

Auction Date: 08/02/2012  
Data as on 09/01/2012 14:12:21

