



BONSMARA BEESTELERSGENOOTSKAP VAN SA

Saamgestel deur die Suid-Afrikaanse Stamboek- en Veeverbeteringsvereniging

Stamboom- en Prestasiedata korrek gesertifiseer

Veilingsdatum: 10/02/2010

Data soos op 21/01/2010 16:21:53

EXPLANATION OF ABBREVIATIONS IN CATALOGUE

VERDUIDELIKING VAN AFKORTINGS IN KATALOGUS

Birth details	BIRTH	GEBOORTE	Geboorte Besonderhede
Growth traits	GROWTH RATE	GROEIVERMOë	Groei Eienskappe
Efficiency traits	EFFICIENCY	DOELTREFF	Doeltreffendheids eienskappe
Body measurements	MEASURE	MATES	Liggaamsmates
Reproduction traits	REPROD	REPROD	Reproduksie eienskappe
Detail of parents	PARENTS	OUERS	Inligting van ouers

Lot number	Lot	Lot	Lotnommer
Seller	Seller	Verkoper	Verkoper
Identification number	ID	ID	Identifikasienommer
Generation/Section of Herdbook	Gen	Gen	Generasie/Afdeling van kuddeboek
Award received	Aw/Award	Toek	Toekenning ontvang
Phase tested	Phase	Fase	Fase getoets
Contemporaries in test	Cont	Tydg	Tydenote in toets
Weight in kilogram	Wgt	Gew	Gewig in kilogram
Index	Ind	Ind	Indeks
Accuracy of breeding value	Acc	Akk	Akkuraatheid van teelwaarde

BREEDING VALUES			TEELWAARDES
Birth direct (kg)	Birth Dir	Geb Dir	Geboorte direk (kg)
Birth maternal (kg)	Birth Mat	Geb Mat	Geboorte maternaal (kg)
Wean direct (kg)	Wean Dir	Speen Dir	Speen direk (kg)
Wean maternal (kg)	Wean Mat	Speen Mat	Speen maternaal (kg)
12 Months (kg)	12M	12M	12 Maande (kg)
18 Months (kg)	18M	18M	18 Maande (kg)
Average daily gain (g/day)	ADG	GDT	Gemiddelde daaglikse toename (g/dag)
Mature weight (kg)	Matur Wgt	Volw Gew	Volwasse gewig (kg)
Feed conversion ratio	FCR	VOV	Voeromsetverhouding
Average daily feed intake	DFI	GDI	Gemiddelde daaglikse voer inname
Feedlot profit (Rands and cents)	Feed Prof	Voer Wins	Voerkraalwins (Rande en sente)
Height (mm)	Hgt	Hgt	Hoogte (mm)
Length (mm)	Lgt	Lgt	Lengte (mm)
Calving tempo (calves)	Calf Temp	Kalf Temp	Kalftempo (kalwers)
Scrotal circumference (mm)	SC	SO	Skrotum omvang (mm)

Skin thickness in millimetres	Skin	Vel	Veldikte in millimeter
Length: Height ratio	L:H	L:H	Lengte: Hoogteverhouding
Age at 1st calving in months	AFC (m)	OEK (m)	Ouderdom 1ste kalf in maande
Average Inter-calving period in days	ICP	TKP	Gemiddelde Tussenkalfperiode in dae
Age in years and months	Age	Oud	Ouderdom in jare en maande
Number of calvings	Calv	Kalw	Aantal kalwings
Average Wean index	Ave WI	Gem SI	Gemiddelde Speenindeks
Number of calves	Calf	Kalf	Aantal kalwers
Days open since last calving	Days Open	Dae Oop	Dae oop sedert laaste kalwing
Reproduction index	R.I.	R.I.	Reproduksie Indeks
Calf information	Calf	Kalf	Kalf informasie



BONSMARA CATTLE BREEDERS' SOCIETY OF SA

Compiled by the South African Stud Book and Livestock Improvement Association

Pedigree- and Performance data certified correct

Auction Date: 10/02/2010
Data as on 21/01/2010 16:21:53

BULLS

Lot	Seller	ID	Sec	Phase	BIRTH		GROWTH RATE					EFFICIENCY			MEASURE			REPROD		PARENTS						BREEDER OWN REMARKS	
					Birth Dir	Birth Mat	Wean Dir	Wean Mat	12M	18M	Matur Wgt	ADG	FCR	DFI	Feed Prof	Hgt	Lgt	Skin (mm)	Calf Temp	SC	Sire		Dam				
					Acc	Acc	Acc	Acc	Acc	Acc	Acc	Acc	Acc	Acc	Acc	Acc	Acc	Acc	Acc	ID	ID	AFC (m)	Age	Ave WI	R.I.		
Aw	Cont	Wgt	Date	Wgt	Ind	Ind	Ind	Ind	Ind	Ind	Ind	Ind	Ind	Ind	Ind	(mm)	(mm)	L:H	(mm)	Aw	Aw	ICP	Calv	Calv			
1	DE BRUIN BONSMARAS	DBT 07 0030	SP	D	0.14 34	0.42 29	3.1 31	2.9 29	2.8 28	4.5 38	8.0 27	2 35	155 27	22 27	-30.38 33	-13 27	-6 27	-	38.00 46	2.9 27	V 02 0032 H	DBT 05 0023	27	5	107	111	
					80	38	02.08.07	327	102	-	-		90	-									411	3	2		
2	KALKVELD BOERDERY	V 07 0257	SP	D	0.81 35	-0.47 29	6.6 31	2.3 29	25.9 28	36.2 37	15.0 26	118 35	-94 26	375 26	-9.06 32	10 27	15 27	-	45.00 44	2.6 27	V 040092	V 02 0241	35	7	103	106	
					77	39	05.11.07	272	103	-	-		123	-									373	5	4		
3	MALAN FA & SEUN	FAM 07 0079	SP	D	-1.07 34	-0.51 30	3.2 31	-0.4 30	13.3 28	19.9 38	-7.0 27	88 35	-53 27	357 27	14.00 33	-5 27	3 27	-	32.00 26	5.2 27	RCO 98 0037	FAM 040041	28	5	102	106	
					80	32	15.10.07	281	109	-	-		111	-									449	3	2		
4	DE BRUIN BONSMARAS	DBT 07 0057	SP	D	-0.53 34	0.25 29	-0.4 31	2.4 29	1.7 28	0.4 38	0.0 27	13 35	67 27	-8 27	8.20 33	-7 27	-4 27	-	36.00 45	3.0 27	V 02 0032 H	DBT 05 0057	25	3	103	119	
					80	32	18.09.07	265	103	-	-		104	-									387	2	2		
5	OTTAWA RANCHES BONSMARAS	ORB 08 0007	B	D	1.87 32	-0.59 28	5.7 28	-0.9 28	15.2 34	16.1 25	2.0 21	6 31	-17 21	-56 21	-8.41 28	-8 21	-3 21	-	28.00 37	3.9 21	AG 02 0316	ORB 01 0141	*	*	105	116	
					77	43	06.01.08	271	108	-	-		93	-									368	5	4		
6	M. FERREIRA	LEO 07 0112	SP	D	-0.90 34	-0.13 28	-0.6 31	0.6 28	4.6 28	6.1 37	6.0 25	5 34	80 26	0 26	-27.99 32	-6 27	-2 26	-	49.00 10	3.4 27	DBT 040111	LEO 03 0048	39	6	99	103	
					77	39	17.11.07	262	105	-	-		93	-									345	4	3		
7	BOGERMIE BOERDERY BK	WVW 07 0119	B	D	-1.33 35	0.71 30	3.7 31	4.2 30	15.8 29	19.4 39	10.0 28	141 36	-205 27	518 27	55.07 33	16 28	22 28	-	49.00 49	14.6 28	EMH 000151	WVW 97 0092	28	12	104	106	
					80	37	27.10.07	278	109	-	-		117	-									416	9	8		
8	BLOUBUFFEL LANDGOED BK	ALF 07 0107	B	D	0.01 31	0.37 27	3.8 23	3.2 26	19.5 13	23.8 34	14.0 13	-10 32	88 13	-67 13	-50.27 27	-5 24	2 22	-	20.00 35	-3.1 24	ROM 02 0142	ALF 02 0136	*	*	98	105	
					80	34	24.10.07	280	115	-	-		99	-									412	5	4		

0.03	-0.08	3	0.8	9.1	11.5	4.3	52	-56	144	7.1	-3	4		39.3	6.2
------	-------	---	-----	-----	------	-----	----	-----	-----	-----	----	---	--	------	-----

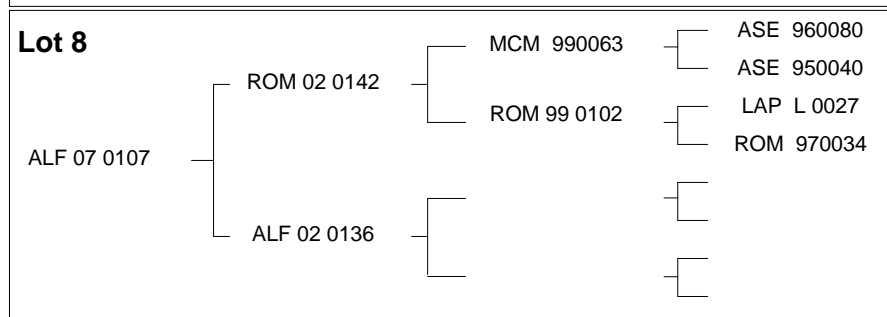
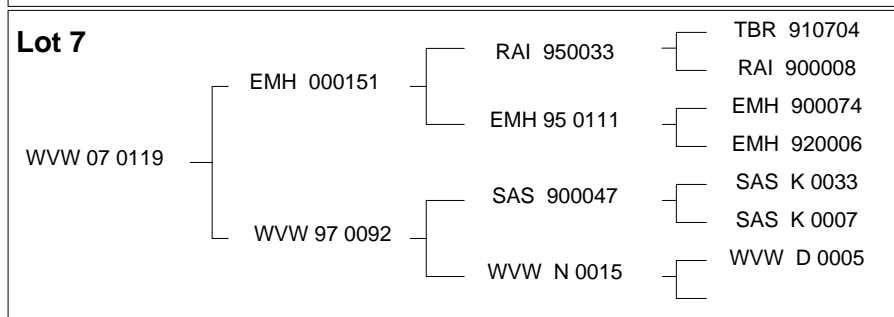
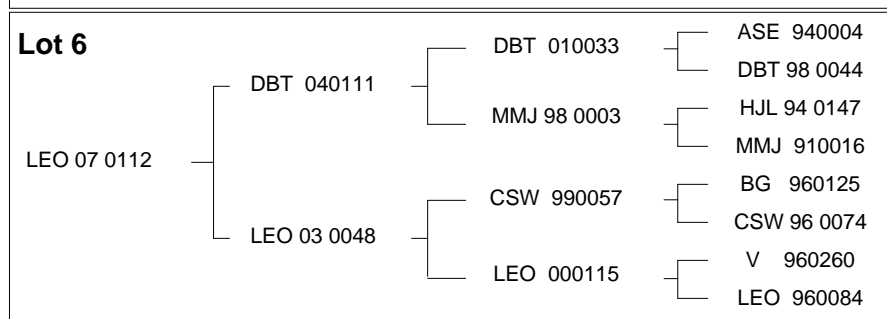
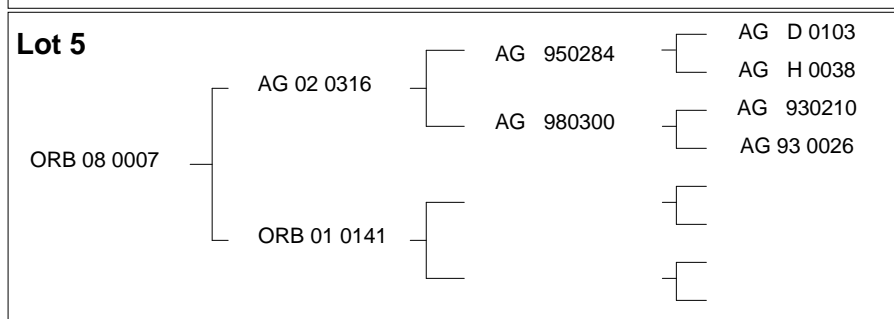
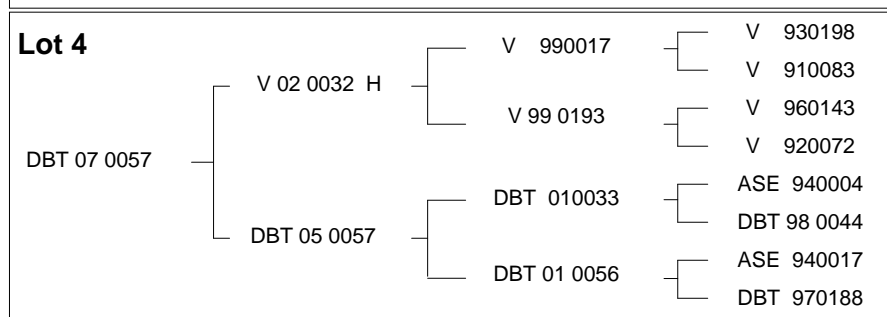
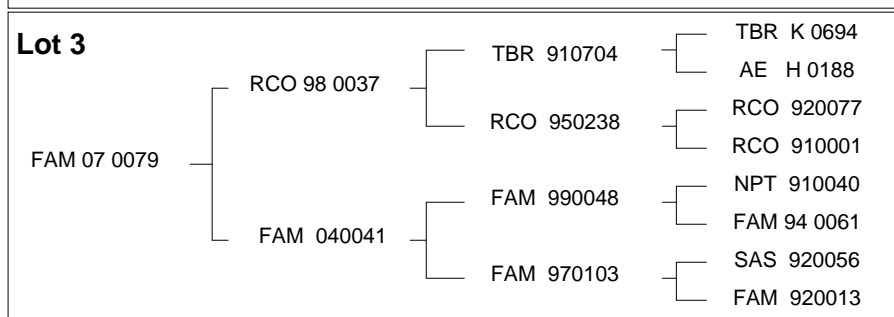
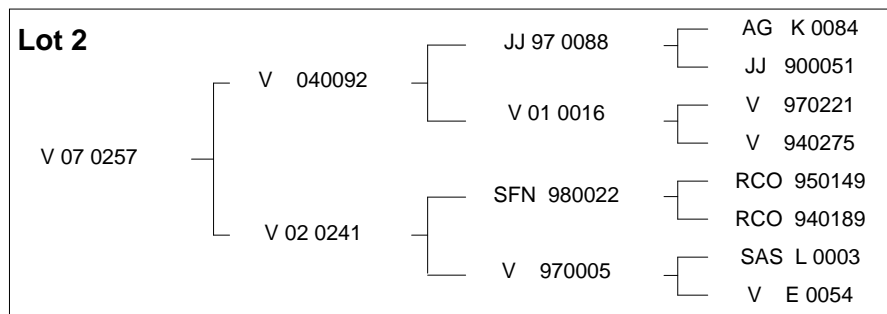
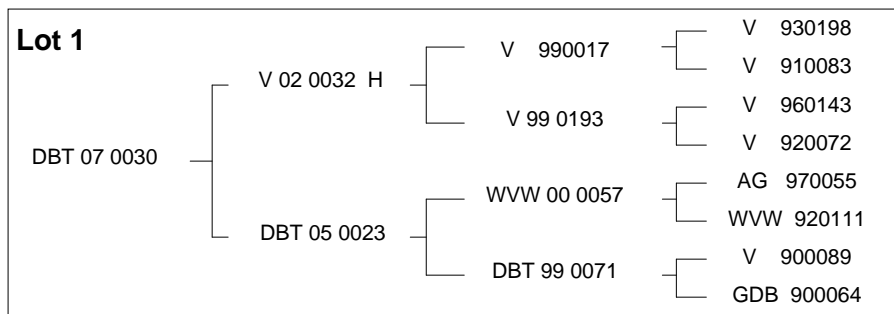


BONSMARA CATTLE BREEDERS' SOCIETY OF SA

Compiled by the South African Stud Book and Livestock Improvement Association

Pedigree- and Performance data certified correct

Auction Date: 10/02/2010
Data as on 21/01/2010 16:21:53





BONSMARA BEESTELERSGENOOTSAP VAN SA

Saamgestel deur die Suid-Afrikaanse Stamboek- en Veeverbeteringsvereniging

Stamboom- en Prestasiedata korrek gesertifiseer

Veilingsdatum: 10/02/2010
Data soos op 21/01/2010 16:21:59

BULLE

Lot	Verkoper	ID	Afd	Fase	GEBORTE		GROEIVERMOË					DOELTREFF			MATES			REPROD		OUERS						TELER SE EIE OPMERKINGS	
					Geb Dir	Geb Mat	Speen Dir	Speen Mat	12M	18M	Volw Gew	GDT	VOV	GDI	Voer Wins	Hgt	Lgt	Vel (mm)	Kalf Temp	SO	Vaar		Moer				
					Akk	Akk	Akk	Akk	Akk	Akk	Akk	Akk	Akk	Akk	Akk	Akk	Akk	Akk	Akk	Akk	ID	ID	OEK (m)	Oud	Gem SI		R.I.
Toek	Tydg	Gew	Datum	Gew	Ind	Ind	Ind	Ind	Ind	Ind	Ind	Ind	Ind	Ind	Ind	(mm)	(mm)	L:H	(mm)	Toek	Toek	TKP	Kalw	Kalf			
9	MALAN FA & SEUN	FAM 07 0093	SP	D	-0.24 35	-0.23 30	3.0 32	-1.5 30	5.7 28	8.1 38	-9.0 27	52 36	-56 27	169 27	13.42 33	-21 28	-10 28	-	30.00 53	2.5 28	RCO 98 0037	FAM 990084	30	9	93	110	
				80	37	22.10.07	257	96	-	-		92	-			1238	1420	1.15		348	-	-	389	7	6		
10	BOGERMIE BOERDERY BK	WVW 07 0145	SP	D	0.72 35	0.09 30	10.3 31	1.2 30	20.4 28	31.0 38	8.0 28	134 35	-115 27	660 27	38.55 33	6 28	20 27	-	62.00 44	3.3 28	WVW 00 0038	WVW 04 0054	29	5	104	111	
				77	41	08.11.07	260	105	-	-		99	-			1205	1413	1.17		340	-	-	388	3	3		
11	M. FERREIRA	LEO 07 0075	SP	D	-2.30 35	-0.15 29	-2.7 31	2.1 29	6.2 28	6.4 28	5.0 26	21 35	-21 26	-37 26	8.31 33	-12 27	-8 27	-	47.00 40	-4.3 27	LEO 03 0021	LEO 03 0064	29	6	105	105	
				80	35	08.09.07	279	102	-	-		107	-			1228	1416	1.15		342	-	-	430	4	3		
12	W.J. BESTER	ROM 07 0217	SP	D	1.70 34	0.87 28	10.3 31	5.8 28	20.9 27	28.1 37	23.0 25	46 35	4 25	254 25	0.02 32	-2 27	7 27	-	38.00 36	5.4 27	ROM 04 0134	ROM 04 0123	23	5	107	120	
				77	40	16.11.07	263	108	-	-		98	-			1188	1378	1.16		339	-	-	371	4	3		
13	C.J. NIEHAUS	CNB 07 0161	SP	D	2.38 35	0.24 29	12.4 31	3.5 29	26.0 28	31.9 37	34.0 26	57 35	28 26	263 26	-34.95 32	9 27	18 27	-	37.00 44	-2.2 27	FCT 01 0159	CNB 93 0301	28	15	103	105	
				80	41	17.10.07	274	117	-	-		93	-			1296	1487	1.15		371	-	-	421	12	12		
14	KALKVELD BOERDERY	V 07 0207	SP	D	-0.53 35	-0.58 29	2.1 31	-1.0 29	10.5 28	14.1 37	5.0 26	34 35	-22 26	0 26	2.54 32	-2 27	-1 27	-	34.00 43	-4.5 27	V 04 0092	V 02 0319	24	7	95	120	
				80	37	10.10.07	250	94	-	-		96	-			1243	1423	1.14		345	-	-	358	6	5		
15	DE BRUIN BONSMARAS	DBT 07 0041	SP	D	-1.88 35	0.30 30	-2.5 31	1.3 30	4.7 28	7.8 38	7.0 27	14 35	69 27	1 27	5.90 33	-16 27	-10 27	-	36.00 46	0.1 27	V 02 0032 H	DBT 04 0136	33	5	100	104	
				80	31	27.08.07	328	105	-	-		101	-			1233	1419	1.15		324	-	-	381	3	2		
16	BLOUBUFFEL LANDGOED BK	VBB 07 0349	B	D	1.36 30	-0.30 25	6.8 23	0.3 25	21.3 21	27.5 31	15.0 12	65 31	-209 13	38 13	15.37 26	0 24	13 22	-	26.00 32	4.1 23	AG 03 0178	VBB 02 0034	*	*	104	120	
				80	43	20.10.07	263	103	-	-		113	-			1217	1429	1.17		340	-	-	347	4	3		

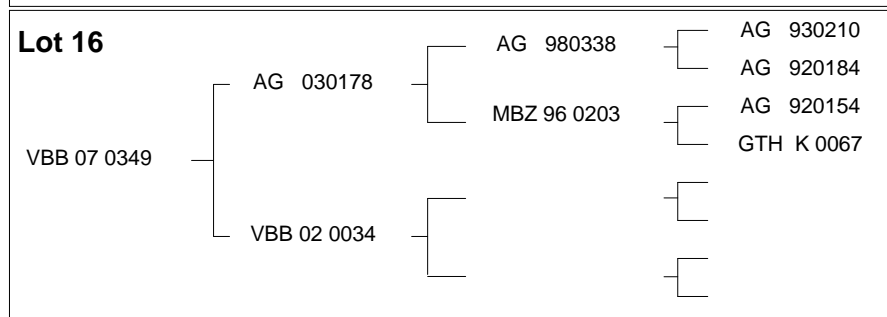
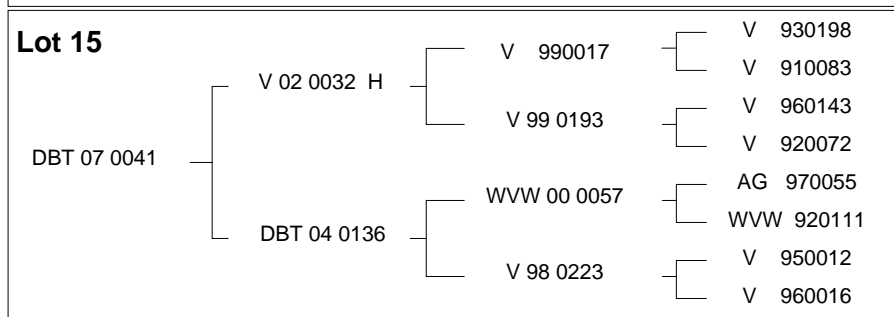
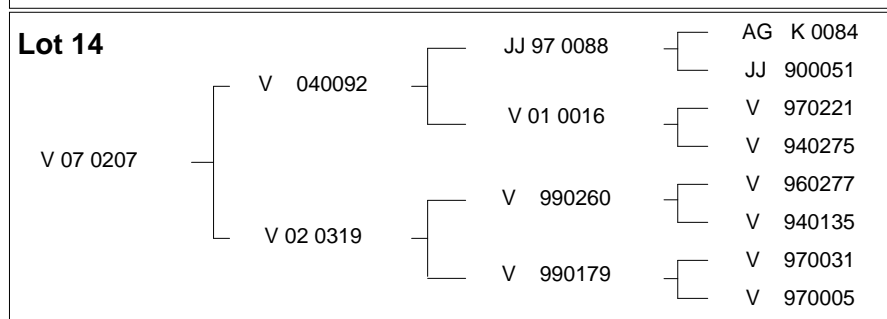
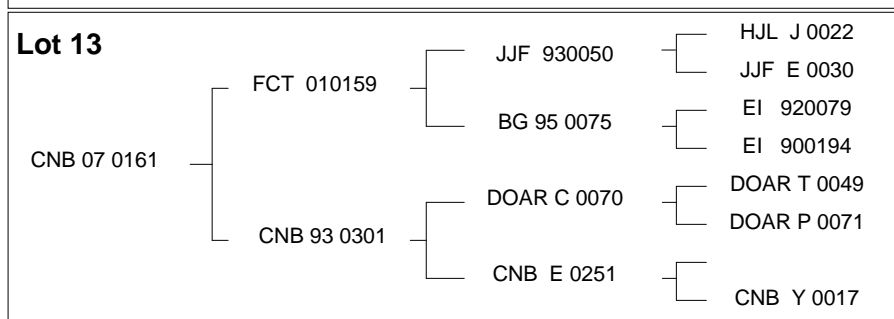
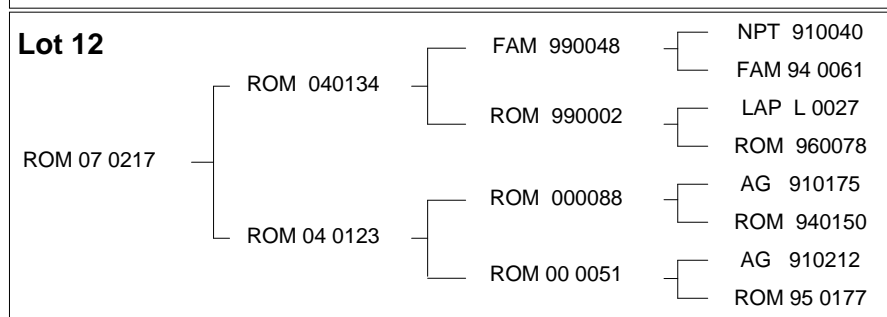
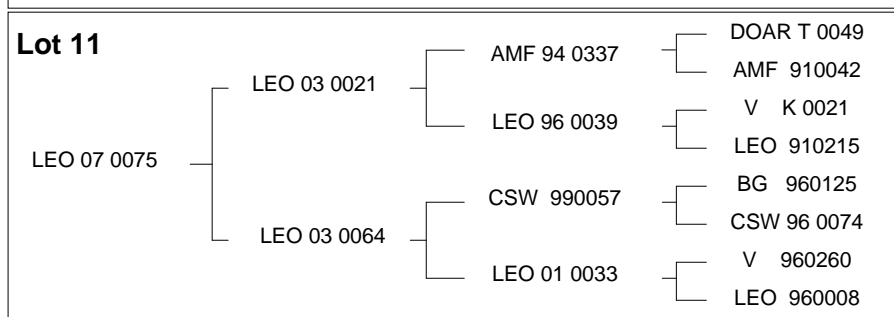
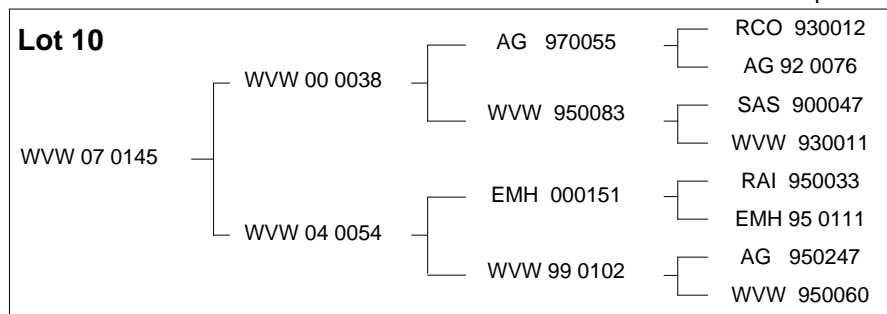
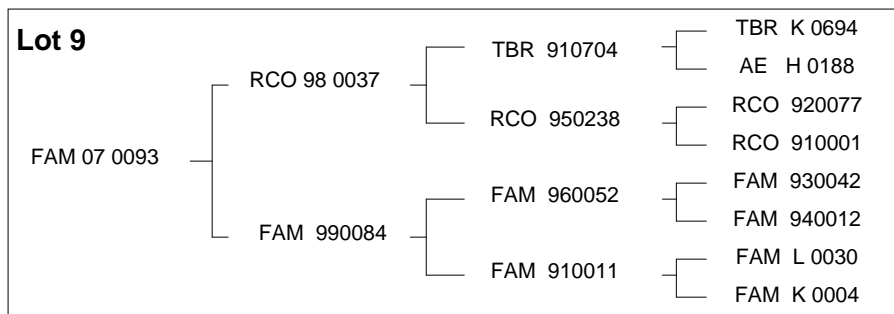


BONSMARA BEESTELERSGENOOTSAP VAN SA

Saamgestel deur die Suid-Afrikaanse Stamboek- en Veeverbeteringsvereniging

Stamboom- en Prestasiedata korrek gesertifiseer

Veilingsdatum: 10/02/2010
Data soos op 21/01/2010 16:21:59



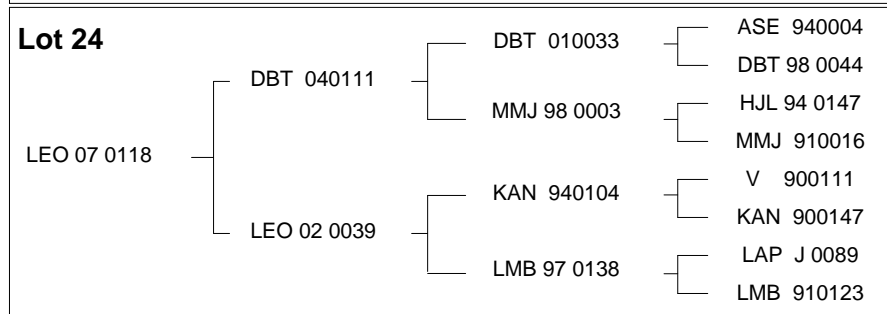
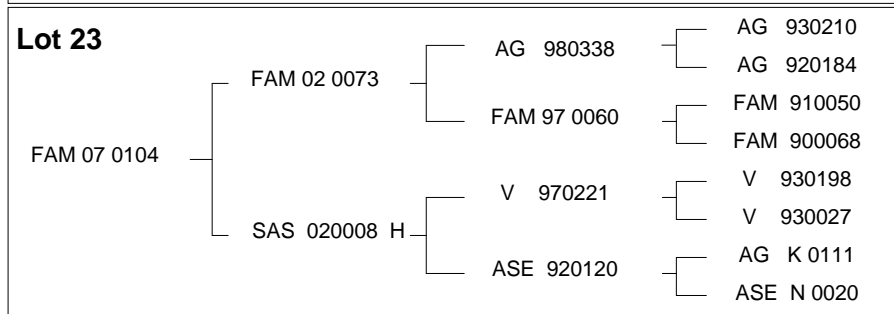
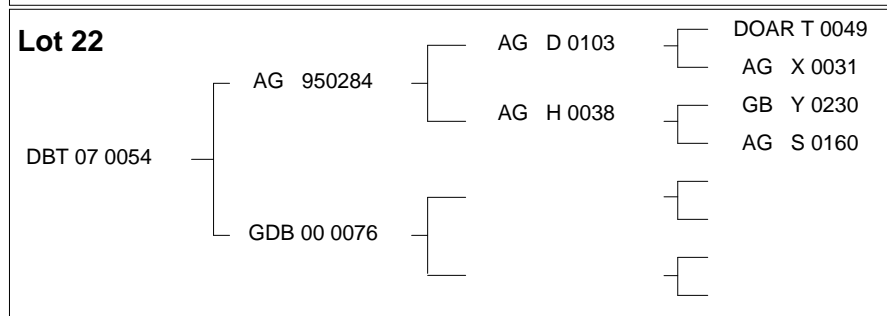
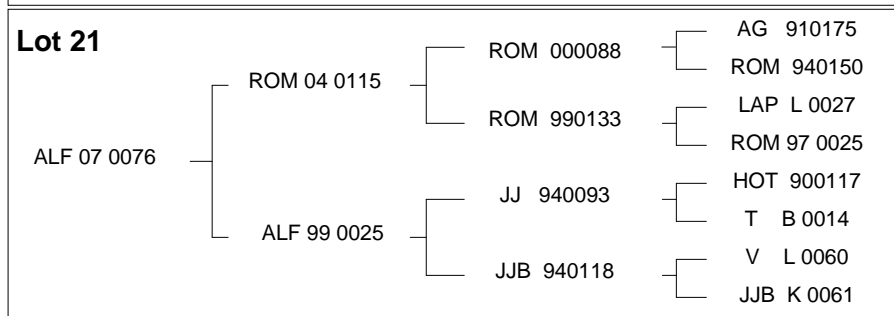
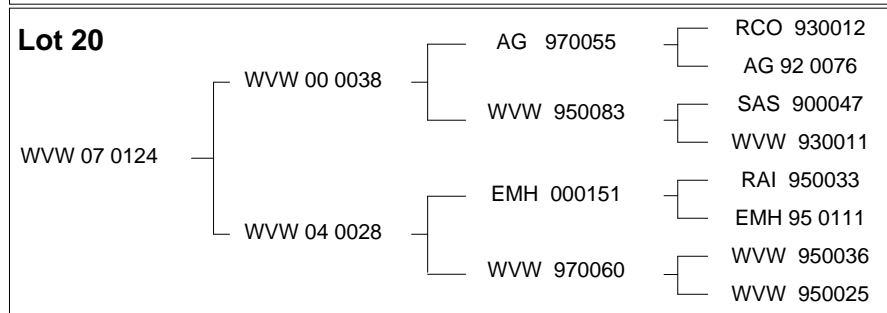
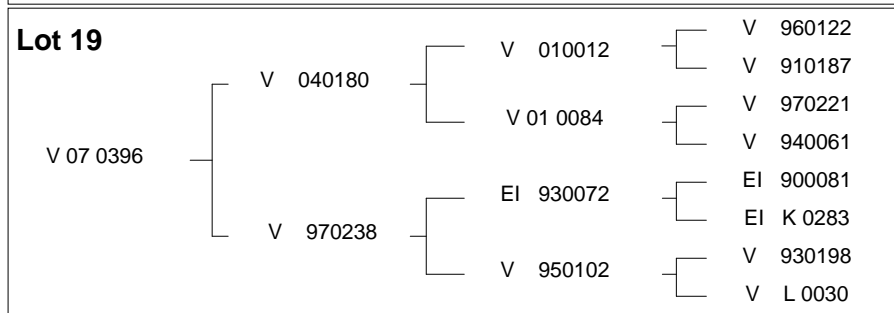
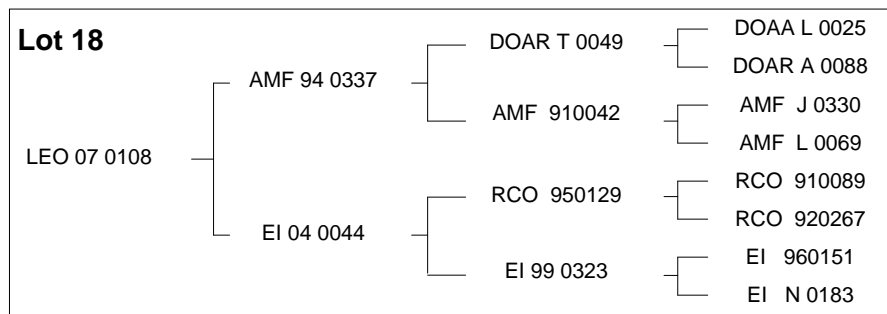
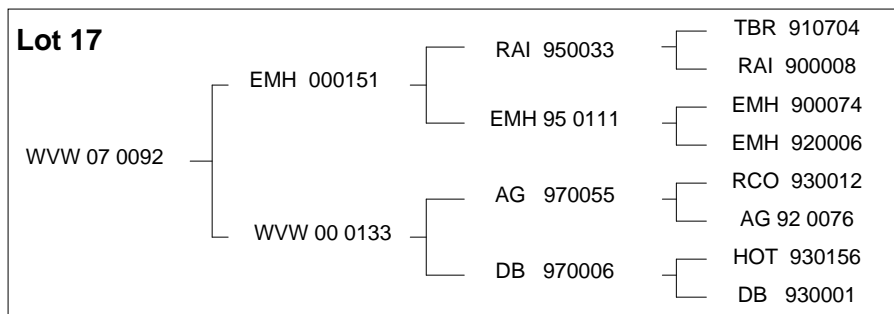


BONSMARA CATTLE BREEDERS' SOCIETY OF SA

Compiled by the South African Stud Book and Livestock Improvement Association

Pedigree- and Performance data certified correct

Auction Date: 10/02/2010
Data as on 21/01/2010 16:22:03





BONSMARA BEESTELERSGENOOTSAP VAN SA

Saamgestel deur die Suid-Afrikaanse Stamboek- en Veeverbeteringsvereniging

Stamboom- en Prestasiedata korrek gesertifiseer

Veilingsdatum: 10/02/2010
Data soos op 21/01/2010 16:22:06

BULLE

Lot	Verkoper	ID	Afd	Fase	GEBORTE		GROEIVERMOË					DOELTREFF			MATES			REPROD		OUERS						TELER SE EIE OPMERKINGS	
					Geb Dir	Geb Mat	Speen Dir	Speen Mat	12M	18M	Volw Gew	GDT	VOV	GDI	Voer Wins	Hgt	Lgt	Vel (mm)	Kalf Temp	SO	Vaar		Moer				
					Akk	Akk	Akk	Akk	Akk	Akk	Akk	Akk	Akk	Akk	Akk	Akk	Akk	Akk	Akk	Akk	ID	ID	OEK (m)	Oud	Gem SI		R.I.
Toek	Tydg	Gew	Datum	Gew	Ind	Ind	Ind	Ind	Ind	Ind	Ind	Ind	Ind	Ind	Ind	(mm)	(mm)	L:H	(mm)	Toek	Toek	TKP	Kalw	Kalf			
25	OTTAWA RANCHES BONSMARAS	ORB 07 0087	B	D	1.80 33	-0.42 25	4.0 26	-2.6 25	7.6 20	7.2 33	-10.0 18	-1 30	67 18	2 18	-14.65 27	-8 19	-5 19	-	17.00 35	4.5 19	AG 020341	ORB 04 0059	35	4	104	100	
				77	43	12.11.07	262	104	-	-		93	-			1176	1386	1.18		346	-	-	376	2	2		
26	W.J. BESTER	ROM 07 0150	SP	D	0.54 35	0.23 28	5.4 32	0.3 29	24.2 28	32.9 38	18.0 27	97 35	-47 26	347 26	-7.24 33	8 28	15 27	-	29.00 45	-1.6 28	JJB 990066	ROM 97 0016	28	12	100	115	
				80	40	22.10.07	260	106	-	-		108	-			1278	1520	1.19		329	-	-	367	11	10		
27	KALKVELD BOERDERY	V 07 0370	SP	D	0.85 34	-0.53 28	6.4 31	1.4 28	12.8 28	16.2 37	19.0 25	59 34	-55 25	175 25	25.03 32	5 27	10 26	-	33.00 40	3.2 27	V 040249	V 04 0030	31	6	98	111	
				77	42	23.11.07	289	109	-	-		100	-			1231	1422	1.16		350	-	-	364	4	3		
28	BOGERMIE BOERDERY BK	WVW 07 0156	SP	D	0.00 35	1.01 29	2.2 31	2.3 29	11.6 28	15.9 37	-1.0 26	98 35	-183 26	268 26	56.82 33	4 28	13 27	-	48.00 42	11.0 27	AEU 040036	WVW 980076	26	10	96	109	
				77	43	15.11.07	248	99	-	-		112	-			1228	1417	1.15		309	-	-	411	8	6		
29	BLOUBUFFEL LANDGOED BK	ALF 07 0138	SP	D	-0.13 34	0.19 27	3.8 31	3.4 28	12.8 28	18.4 36	9.0 25	96 34	-114 25	298 25	20.81 32	1 27	10 26	-	53.00 38	2.9 26	ROM 04 0115	ALF 03 0050	35	6	102	102	
				77	38	26.11.07	239	106	-	-		120	-			1243	1413	1.14		354	-	-	389	4	3		
30	DE BRUIN BONSMARAS	DBT 07 0074	SP	D	0.38 35	0.67 30	7.3 31	2.2 30	16.4 28	20.3 38	17.0 28	38 35	-62 27	57 27	-13.44 33	-14 27	-2 27	-	34.00 52	13.2 27	AG 960233	DBT 03 0049	29	7	100	114	
				77	39	05.11.07	281	107	-	-		92	-			1223	1442	1.18		384	-	-	362	5	4		
31	MALAN FA & SEUN	FAM 07 0090	SP	D	0.52 35	0.37 30	4.6 32	-2.1 30	0.4 29	-0.2 38	6.0 27	35 36	-150 27	-100 27	41.29 33	-19 28	-10 28	-	21.00 44	-5.1 28	MCM 00 0180	FAM 950026	26	12	94	111	
				80	38	21.10.07	250	93	-	-		101	-			1178	1359	1.15		327	-	-	398	10	10		
32	M. FERREIRA	LEO 07 0173	SP	D	0.23 34	0.32 30	7.2 31	2.9 30	19.2 27	22.4 37	16.0 27	86 35	-117 27	268 27	28.52 33	0 27	13 27	-	37.00 10	-4.3 27	AMF 94 0337	LEO 05 0059	29	4	105	114	
				77	42	18.11.07	270	107	-	-		112	-			1229	1409	1.15		316	-	-	358	3	2		

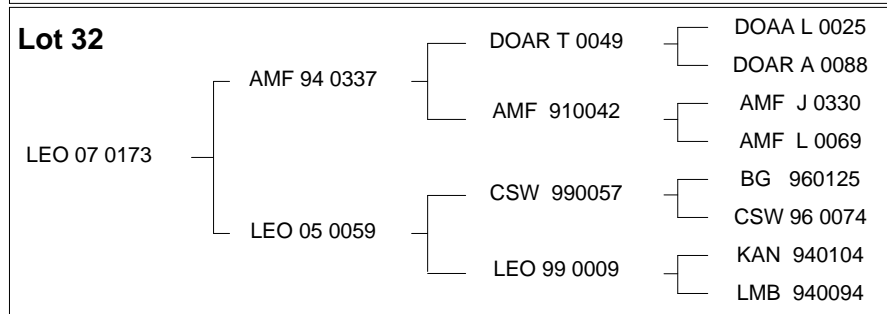
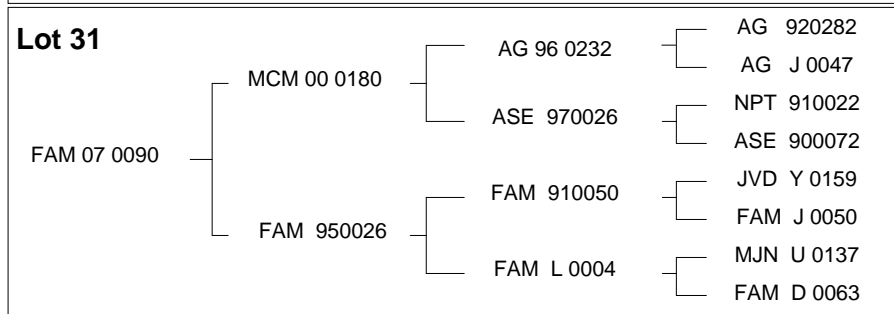
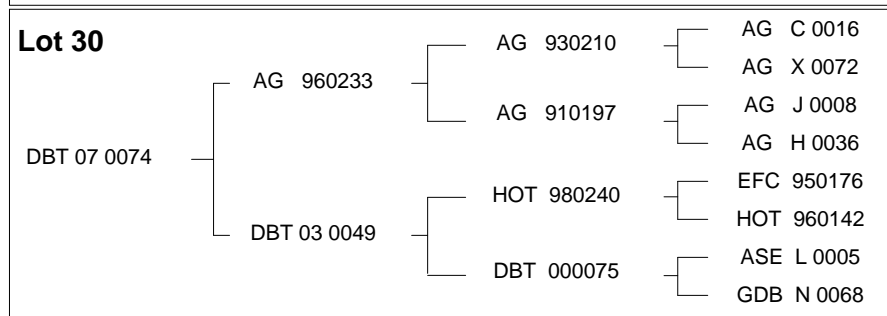
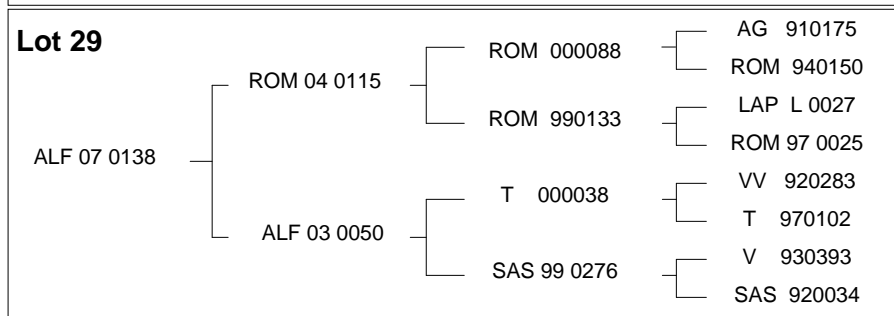
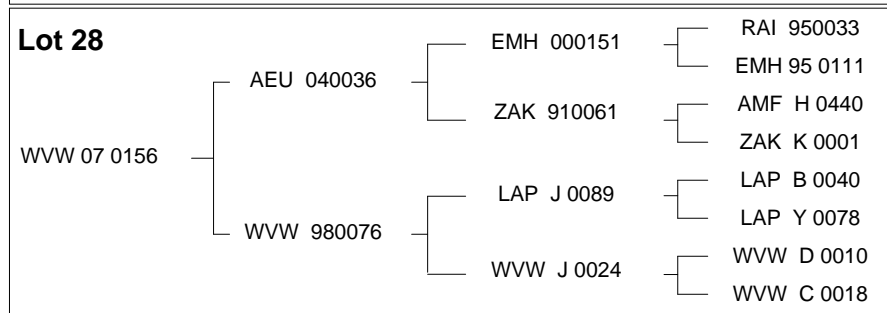
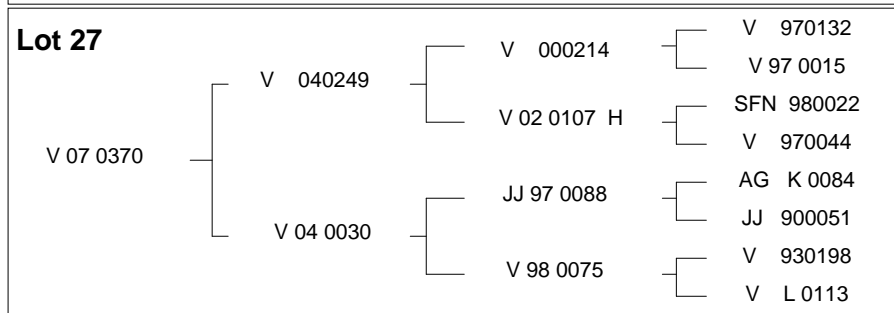
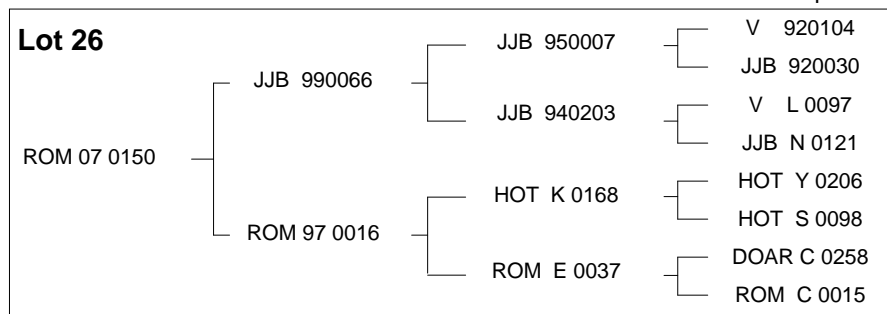
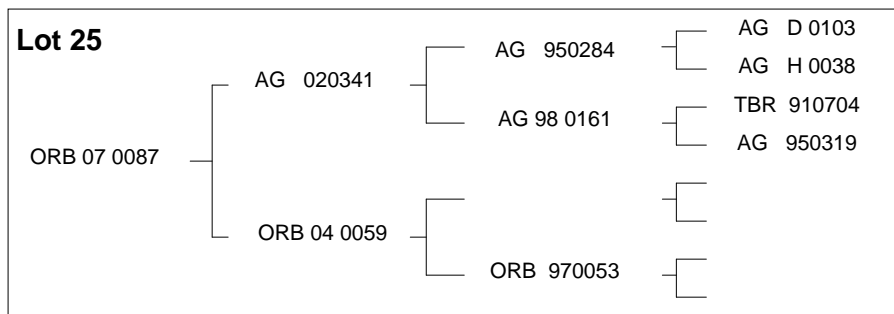


BONSMARA BEESTELERSGENOOTSAP VAN SA

Saamgestel deur die Suid-Afrikaanse Stamboek- en Veeverbeteringsvereniging

Stamboom- en Prestasiedata korrek gesertifiseer

Veilingsdatum: 10/02/2010
Data soos op 21/01/2010 16:22:06





BONSMARA CATTLE BREEDERS' SOCIETY OF SA

Compiled by the South African Stud Book and Livestock Improvement Association

Pedigree- and Performance data certified correct

Auction Date: 10/02/2010
Data as on 21/01/2010 16:22:10

BULLS

Lot	Seller	ID	Sec	Phase	BIRTH		GROWTH RATE					EFFICIENCY			MEASURE			REPROD		PARENTS						BREEDER OWN REMARKS	
					Birth Dir	Birth Mat	Wean Dir	Wean Mat	12M	18M	Matur Wgt	ADG	FCR	DFI	Feed Prof	Hgt	Lgt	Skin (mm)	Calf Temp	SC	Sire		Dam				
					Acc	Acc	Acc	Acc	Acc	Acc	Acc	Acc	Acc	Acc	Acc	Acc	Acc	Acc	Acc	ID	ID	AFC (m)	Age	Ave WI	R.I.		
Aw	Cont	Wgt	Date	Wgt	Ind	Ind	Ind	Ind	Ind	Ind	Ind	(mm)	(mm)	L:H	(mm)	(mm)	Aw	Aw	ICP	Calv	Calv						
33	W.J. BESTER	ROM 07 0226	SP	D	0.28 35	0.14 30	1.5 31	2.0 30	12.8 28	20.7 38	-14.0 28	56 35	-25 27	262 27	14.76 33	2 27	5 27	-	48.00 43	-0.8 27	ROM 020083	ROM 030037	23	5	105	113	
					77	40	19.11.07	264	108	-	-	108	-			1260	1459	1.16		353	-	-	455	3	3		
34	KALKVELD BOERDERY	V 07 0292	SP	D	0.72 35	-0.73 29	5.7 32	1.9 30	11.4 29	15.0 38	7.0 27	76 35	-64 27	190 27	6.18 33	2 28	6 28	-	44.00 45	2.4 28	V 040092	V 02 0107 H	29	8	107	114	
					77	38	08.11.07	266	100	-	-	104	-			1205	1383	1.15		337	-	-	365	6	5		
35	BOGERMIE BOERDERY BK	WVW 07 0084	SP	D	-1.12 35	-0.69 30	-1.6 31	-0.6 30	-1.2 28	-3.0 38	-14.0 27	56 35	-131 27	98 27	62.73 33	-5 27	-1 27	-	44.00 39	3.2 27	WVW 01 0063	WVW 05 0016	29	5	96	113	
					80	30	19.09.07	233	91	-	-	101	-			1163	1362	1.17		313	-	-	369	3	2		
36	BOGERMIE BOERDERY BK	WVW 07 0097	SP	D	0.31 35	0.23 30	8.7 31	2.3 30	25.1 28	36.7 38	18.0 28	155 35	-161 27	675 27	42.57 33	21 28	26 28	-	47.00 45	9.9 28	EMH 000151	WVW 03 0192	33	6	110	107	
					80	39	03.10.07	290	113	-	-	114	-			1280	1449	1.13		322	-	-	370	4	3		
37	BLOUBUFFEL LANDGOED BK	ALF 07 0136	SP	D	1.39 35	0.68 30	12.5 31	5.3 30	34.0 28	47.1 38	32.0 27	155 35	-212 27	467 27	6.51 33	14 28	25 28	-	46.00 48	11.0 28	MMJ 000229	ALF 00 0016	35	9	96	108	
					77	40	24.11.07	256	114	-	-	121	-			1262	1502	1.19		322	-	-	376	7	6		
38	DE BRUIN BONSMARAS	DBT 07 0096	SP	D	1.19 35	0.66 30	11.4 31	4.8 30	28.6 29	33.1 38	5.0 28	92 35	-188 27	156 27	10.74 33	3 27	13 27	-	26.00 52	14.1 27	AG 090233	ROC 00 0124	29	8	107	108	
					77	42	29.11.07	296	112	-	-	108	-			1214	1445	1.19		324	-	-	405	6	6		
39	MALAN FA & SEUN	FAM 07 0113	SP	D	-1.03 35	0.17 30	-1.9 32	-2.5 30	2.3 29	2.6 38	-5.0 27	12 35	-20 27	-143 27	-7.73 33	-10 28	-8 28	-	41.00 47	-0.7 28	FAM 02 0073	FAM 020064	25	5	98	120	
					77	32	03.11.07	250	96	-	-	95	-			1212	1441	1.19		319	-	-	357	4	4		
40	M. FERREIRA	LEO 07 0096	SP	D	0.03 34	0.00 28	4.4 31	0.0 28	7.9 27	8.8 37	8.0 25	50 35	-21 25	179 25	-1.26 32	-1 27	7 26	-	49.00 38	5.6 27	DBT 040111	LEO 03 0060	24	6	96	121	
					80	42	15.10.07	261	103	-	-	97	-			1225	1436	1.17		375	-	-	357	5	3		

0.03	-0.08	3	0.8	9.1	11.5	4.3	52	-56	144	7.1	-3	4		39.3	6.2
------	-------	---	-----	-----	------	-----	----	-----	-----	-----	----	---	--	------	-----

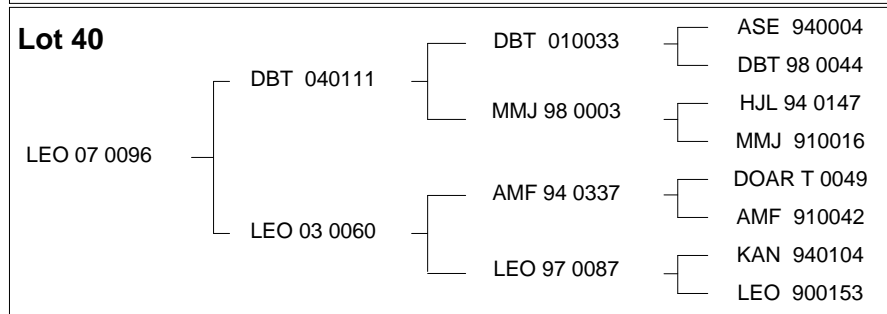
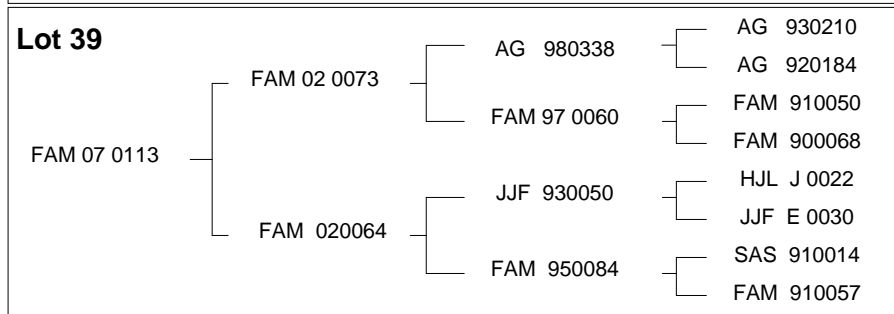
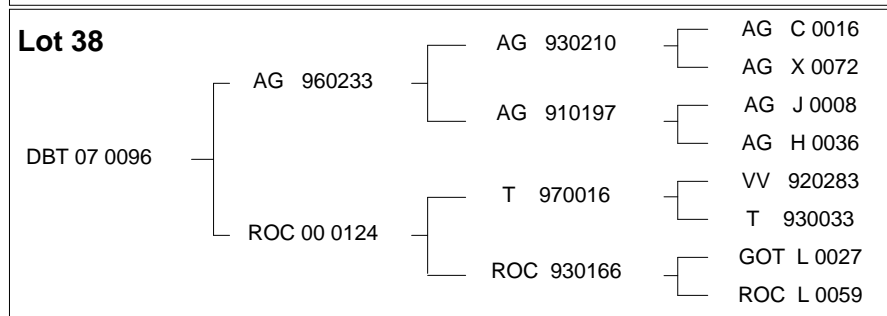
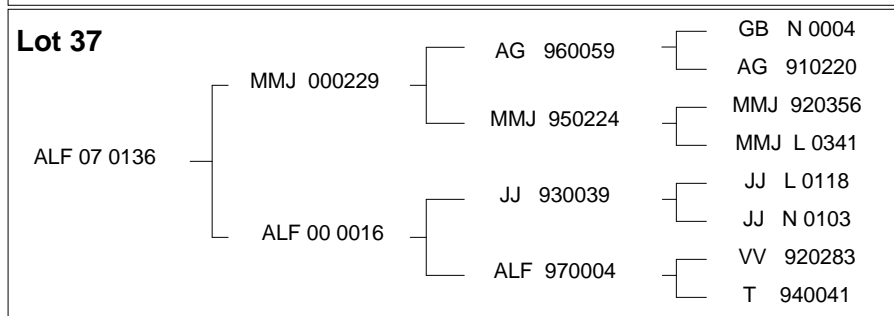
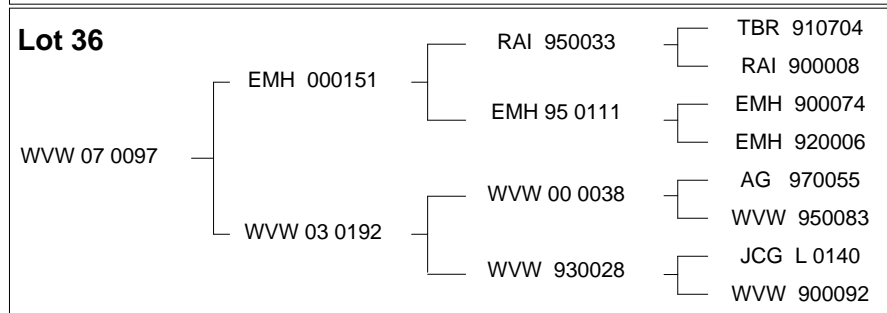
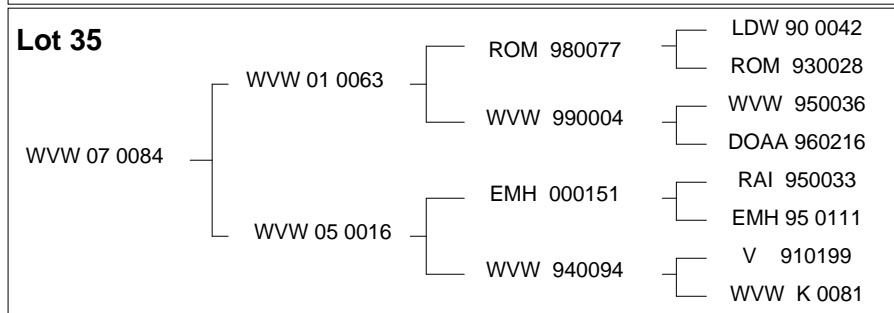
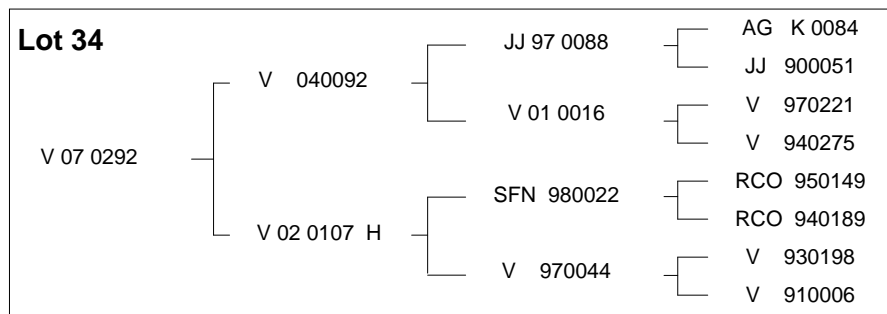
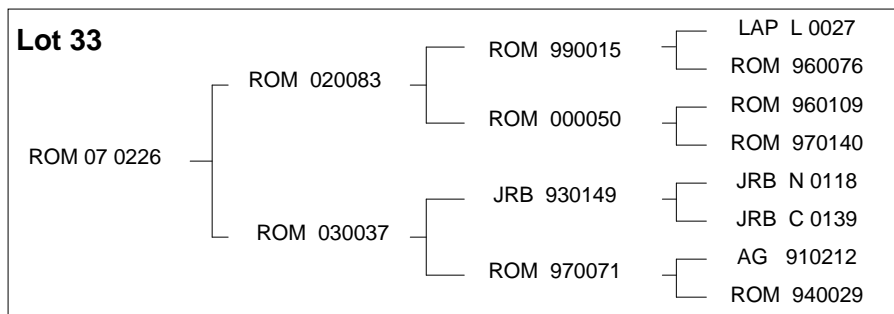


BONSMARA CATTLE BREEDERS' SOCIETY OF SA

Compiled by the South African Stud Book and Livestock Improvement Association

Pedigree- and Performance data certified correct

Auction Date: 10/02/2010
Data as on 21/01/2010 16:22:10





BONSMARA BEESTELERSGENOOTSAP VAN SA

Saamgestel deur die Suid-Afrikaanse Stamboek- en Veeverbeteringsvereniging

Stamboom- en Prestasiedata korrek gesertifiseer

Veilingsdatum: 10/02/2010
Data soos op 21/01/2010 16:22:13

BULLE

Lot	Verkoper	ID	Afd	Fase	GEBORTE		GROEIVERMOË					DOELTREFF			MATES			REPROD		OUERS						R.I.	TELER SE EIE OPMERKINGS	
					Geb Dir	Geb Mat	Speen Dir	Speen Mat	12M	18M	Volw Gew	GDT	VOV	GDI	Voer Wins	Hgt	Lgt	Vel (mm)	Kalf Temp	SO	Vaar		Moer					
					Akk	Akk	Akk	Akk	Akk	Akk	Akk	Akk	Akk	Akk	Akk	Akk	Akk	Akk	Akk	Akk	ID	ID	OEK (m)	Oud	Gem SI			
Toek	Tydg	Gew	Datum	Gew	Ind	Ind	Ind	Ind	Ind	Ind	Ind	(mm)	(mm)	L:H	(mm)	(mm)	Toek	Toek	TKP	Kalw	Kalf							
41	KALKVELD BOERDERY	V 07 0333	SP	D	0.03 35	-1.28 28	1.4 31	1.5 28	3.0 28	2.8 37	5.0 25	38 35	3 25	125 25	5.50 32	-13 27	1 27	-	47.00 42	6.6 27	VV 050016	V 02 0255	35	7	102	98		
				77	38	13.11.07	271	103	-	-		92	-			1187	1356	1.14		352	-	-	429	4	4			
42	BOGERMIE BOERDERY BK	WWV 07 0125	SP	D	0.72 34	-0.46 29	2.9 31	-1.0 29	7.5 28	7.7 38	-4.0 28	27 35	-11 26	67 26	13.79 32	-4 27	-1 27	-	51.00 40	10.3 27	WWV 020112	WWV 04 0068	31	6	105	113		
				77	39	02.11.07	251	102	-	-		90	-			1172	1360	1.16		356	-	-	351	4	2			
43	BLOUBUFFEL LANDGOED BK	ALF 07 0121	SP	D	-2.62 35	-0.23 28	-2.1 31	2.4 28	3.3 28	4.1 38	-3.0 25	31 35	42 25	104 25	-14.17 33	-11 28	-3 27	-	38.00 40	1.3 27	ROM 04 0115	SAS 99 0298	26	10	105	118		
				77	27	03.11.07	206	94	-	-		100	-			1162	1401	1.21		320	-	-	359	9	8			
44	DE BRUIN BONSMARAS	DBT 07 0052	B	D	0.31 33	-1.03 29	-1.6 28	-8.3 29	-12.2 27	-21.6 36	-28.0 21	-49 34	50 21	-369 21	13.77 31	-27 28	-25 26	-	9.00 49	0.0 27	AG 050284	DBT 97 0181	*	*	90	111		
				80	41	03.09.07	251	93	-	-		95	-			1196	1433	1.2		343	-	-	387	10	9			
45	M. FERREIRA	LEO 07 0105	SP	D	1.04 34	-0.45 28	7.4 31	-0.7 28	5.8 26	5.9 37	6.0 25	47 35	-9 25	156 25	-1.29 32	5 27	11 27	-	43.00 10	11.5 27	DBT 040111	LEO 010084	32	6	101	106		
				77	41	04.11.07	248	97	-	-		95	-			1173	1401	1.19		322	-	-	397	4	5			
46	KALKVELD BOERDERY	V 07 0183	SP	D	2.23 35	-0.57 30	9.4 32	-0.7 30	16.0 29	19.6 38	18.0 27	11 36	100 27	60 27	-38.75 33	4 28	6 28	-	71.00 43	7.4 28	V 02 0055 H	V 00 0215	24	9	103	119		
				80	41	07.10.07	273	102	-	-		91	-			1231	1432	1.16		340	-	-	359	8	6			
47	BOGERMIE BOERDERY BK	WWV 07 0151	SP	D	0.73 35	0.14 28	6.0 31	1.5 29	15.4 28	17.3 38	6.0 26	38 35	-30 25	100 25	10.61 32	2 28	11 27	-	59.00 40	7.7 28	WWV 040020	WWV 950114	35	13	102	112		
				77	41	18.11.07	253	102	-	-		95	-			1199	1399	1.17		354	-	-	364	11	11			
48	M. FERREIRA	LEO 07 0110	B	D	0.15 34	0.52 29	2.4 30	2.0 29	27.8 26	31.1 37	-4.0 25	37 35	-54 25	64 25	-12.37 32	-4 28	2 27	-	29.00 10	9.8 27	AG 02 0064 H	LEO 98 0080	36	11	112	110		
				77	41	14.11.07	252	99	-	-		100	-			1197	1367	1.14		360	-	-	365	9	7			

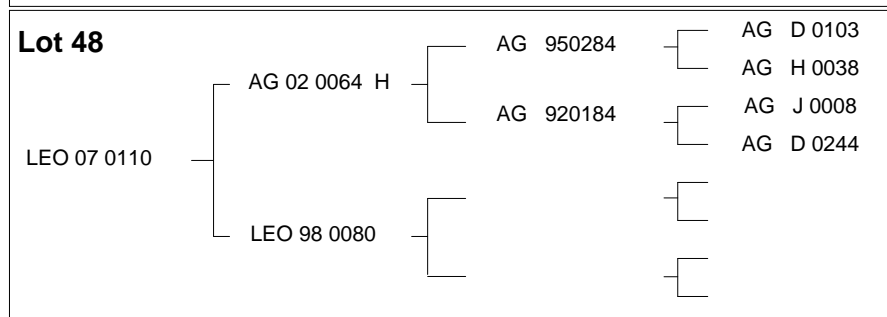
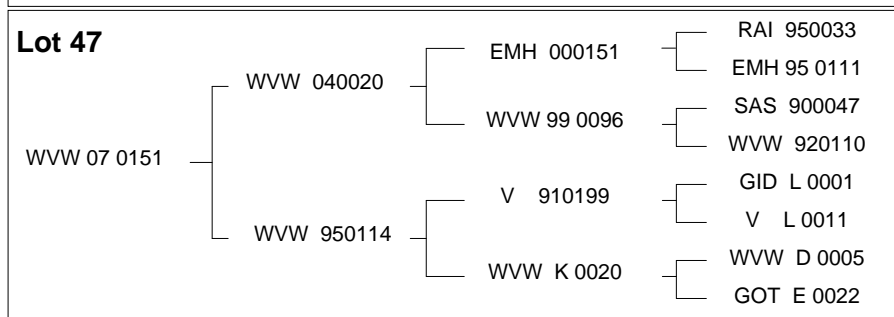
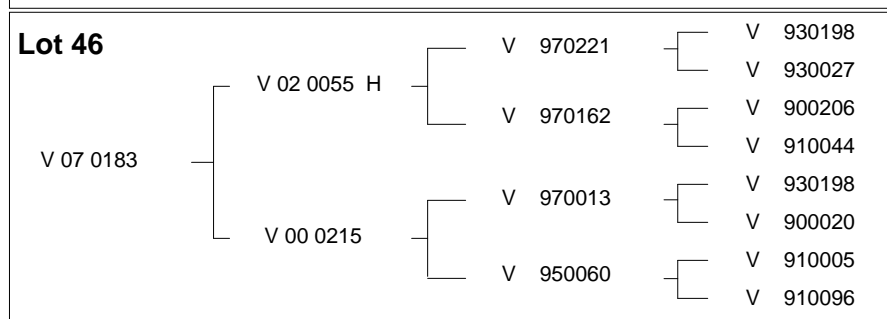
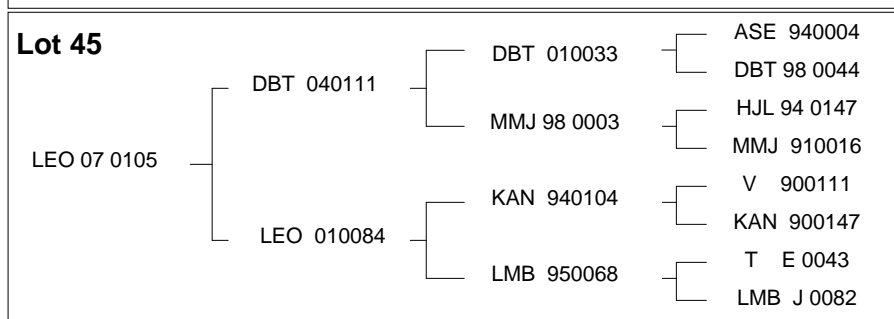
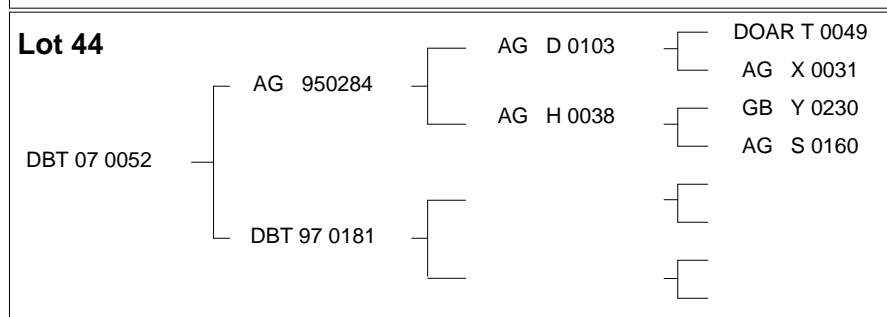
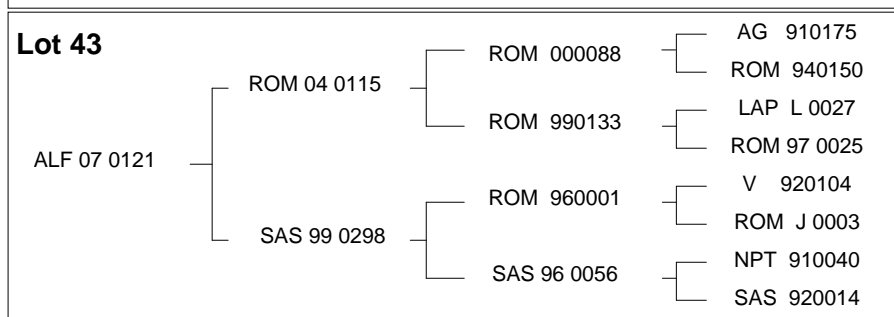
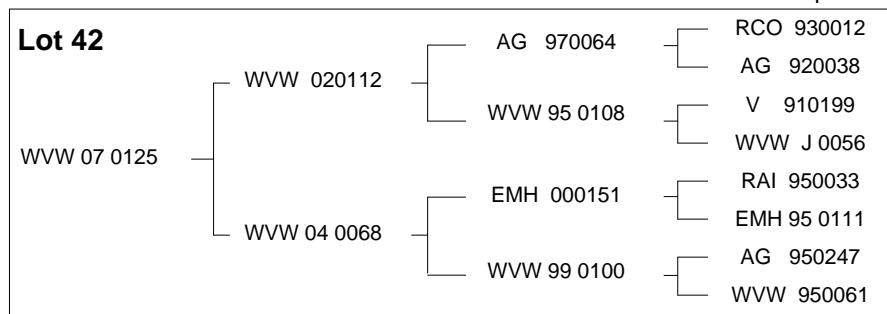
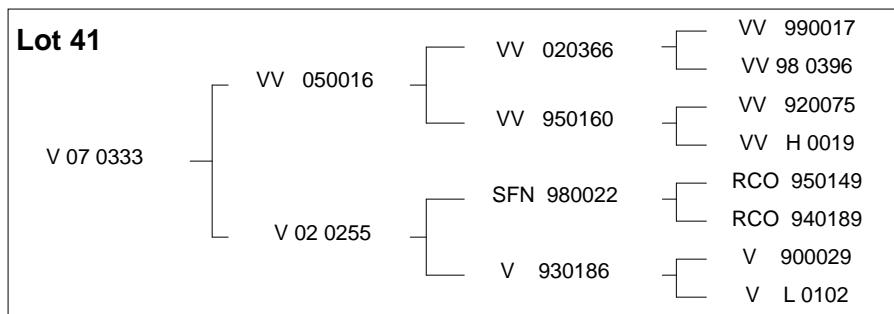


BONSMARA BEESTELERSGENOOTSKAP VAN SA

Saamgestel deur die Suid-Afrikaanse Stamboek- en Veeverbeteringsvereniging

Stamboom- en Prestasiedata korrek gesertifiseer

Veilingsdatum: 10/02/2010
Data soos op 21/01/2010 16:22:13





BONSMARA CATTLE BREEDERS' SOCIETY OF SA

Compiled by the South African Stud Book and Livestock Improvement Association

Pedigree- and Performance data certified correct

Auction Date: 10/02/2010
Data as on 21/01/2010 16:22:16

BULLS

Lot	Seller	ID	Sec	Phase	BIRTH		GROWTH RATE					EFFICIENCY			MEASURE			REPROD		PARENTS					R.I.	BREEDER OWN REMARKS	
					Birth Dir	Birth Mat	Wean Dir	Wean Mat	12M	18M	Matur Wgt	ADG	FCR	DFI	Feed Prof	Hgt	Lgt	Skin (mm)	Calf Temp	SC	Sire		Dam				
					Acc	Acc	Acc	Acc	Acc	Acc	Acc	Acc	Acc	Acc	Acc	Acc	Acc	Acc	Acc	ID	ID	AFC (m)	Age	Ave WI			
Aw	Cont	Wgt	Date	Wgt	Ind	Ind	Ind	Ind	Ind	Ind	Ind	Ind	Ind	Ind	Ind	(mm)	(mm)	L:H	(mm)	Aw	Aw	ICP	Calv	Calv			
49	KALKVELD BOERDERY	V 07 0213	SP	D	-0.82 34	-0.22 27	7.1 31	4.2 27	21.6 28	26.9 36	30.0 25	6 35	54 25	14 25	-13.47 32	1 27	8 27	-	40.00 39	7.2 27	V 040108	V 040319	35	4	110	88	
				80	38	23.10.07	311	120	-	-		95	-			1229	1430	1.16		352	-	-	533	2	2		
50	BOGERMIE BOERDERY BK	WWV 07 0126	B	D	0.67 33	0.93 27	9.1 28	4.7 27	23.0 26	27.9 37	22.0 23	40 33	-24 23	144 23	-19.00 30	-5 25	9 24	-	50.00 37	10.2 24	WWV 040020	WWV 03 0001	*	*	112	109	
				77	41	02.11.07	275	112	-	-		94	-			1202	1410	1.17		315	-	-	397	4	3		

0.03	-0.08	3	0.8	9.1	11.5	4.3	52	-56	144	7.1	-3	4		39.3	6.2
------	-------	---	-----	-----	------	-----	----	-----	-----	-----	----	---	--	------	-----



BONSMARA CATTLE BREEDERS' SOCIETY OF SA

Compiled by the South African Stud Book and Livestock Improvement Association

Pedigree- and Performance data certified correct

Auction Date: 10/02/2010
Data as on 21/01/2010 16:22:16

Lot 49



Lot 50

